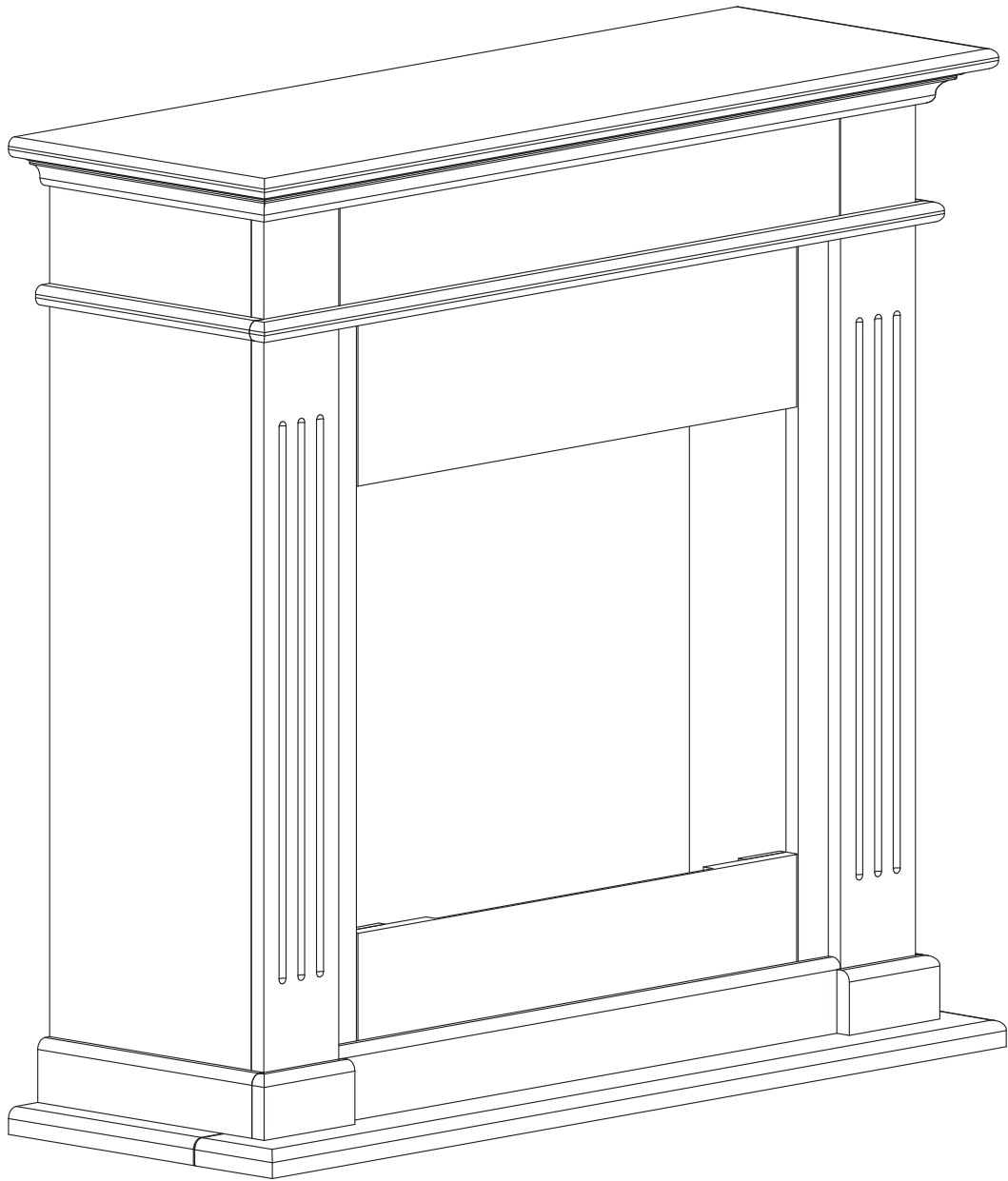


# ELDA

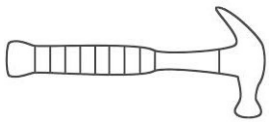
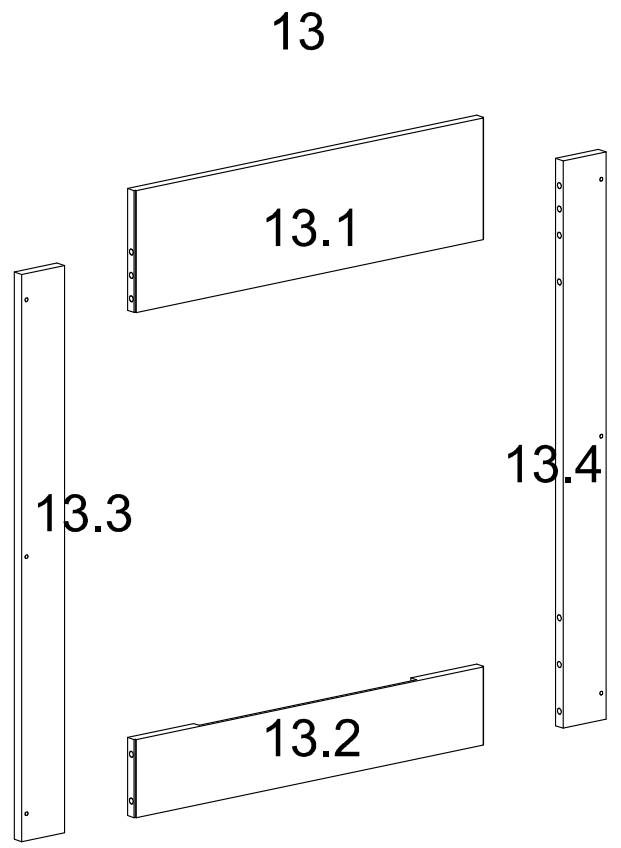
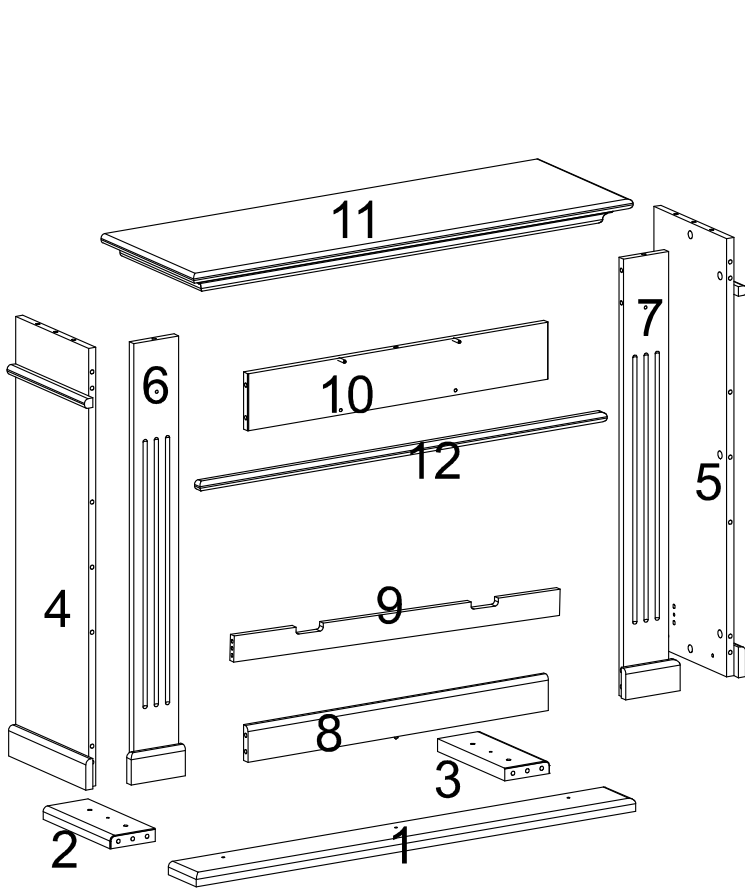
## INSTRUCTION



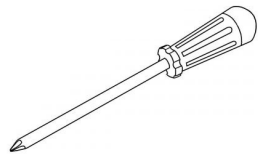
Xaralyn B.V.

**IMPORTANT:** Please read this instruction carefully, keep for further reference and check all parts before assembling.

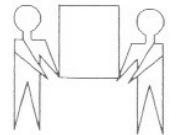
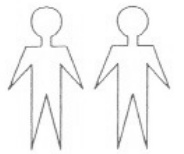
[info@xaralyn.com](mailto:info@xaralyn.com)  
[www.xaralyn.com](http://www.xaralyn.com)



For A, B, C



For D, E, F, G



6 x 25



A x 4

8 x 35



B x 28

8 x 45



C x 12



D x 20



E x 20

3 x 25

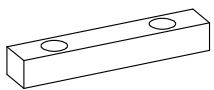


F x 6

3,5 x 16



G x 4

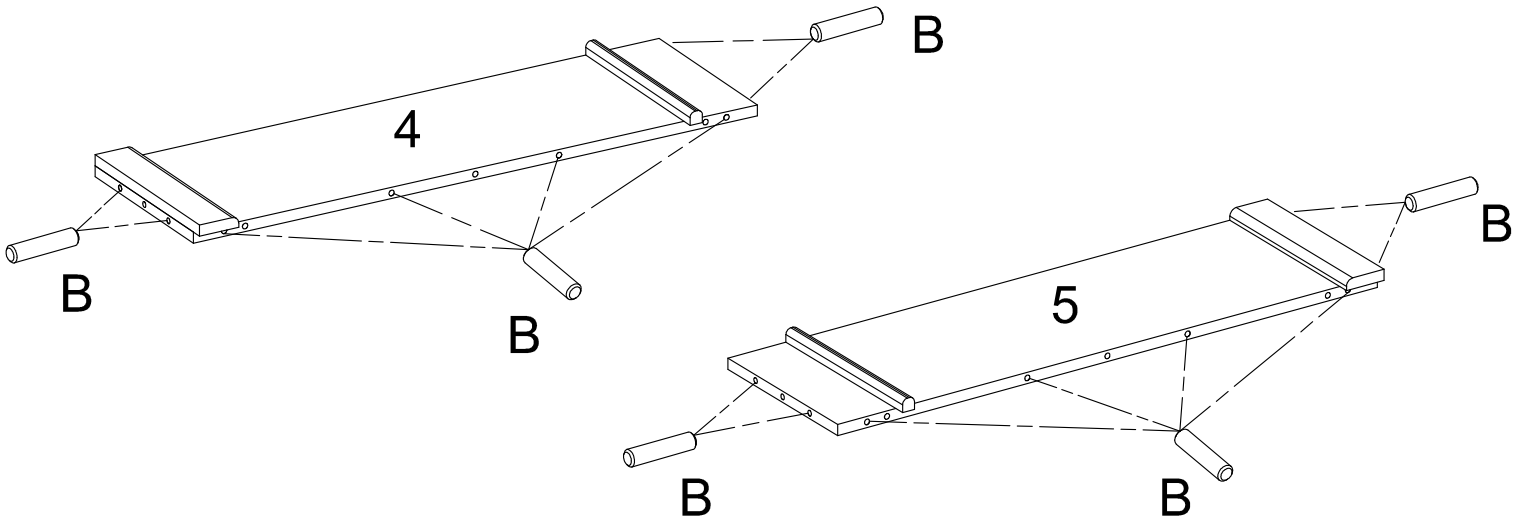


H x 2

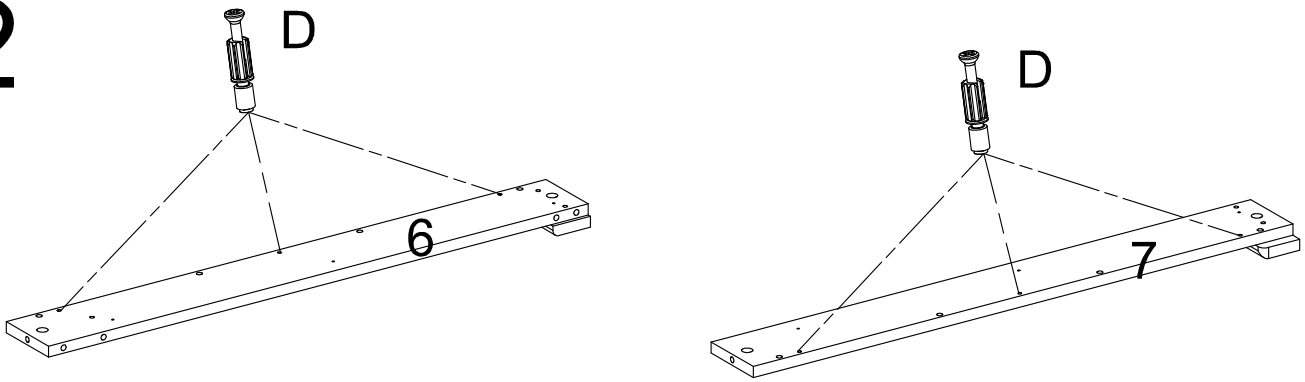


x1

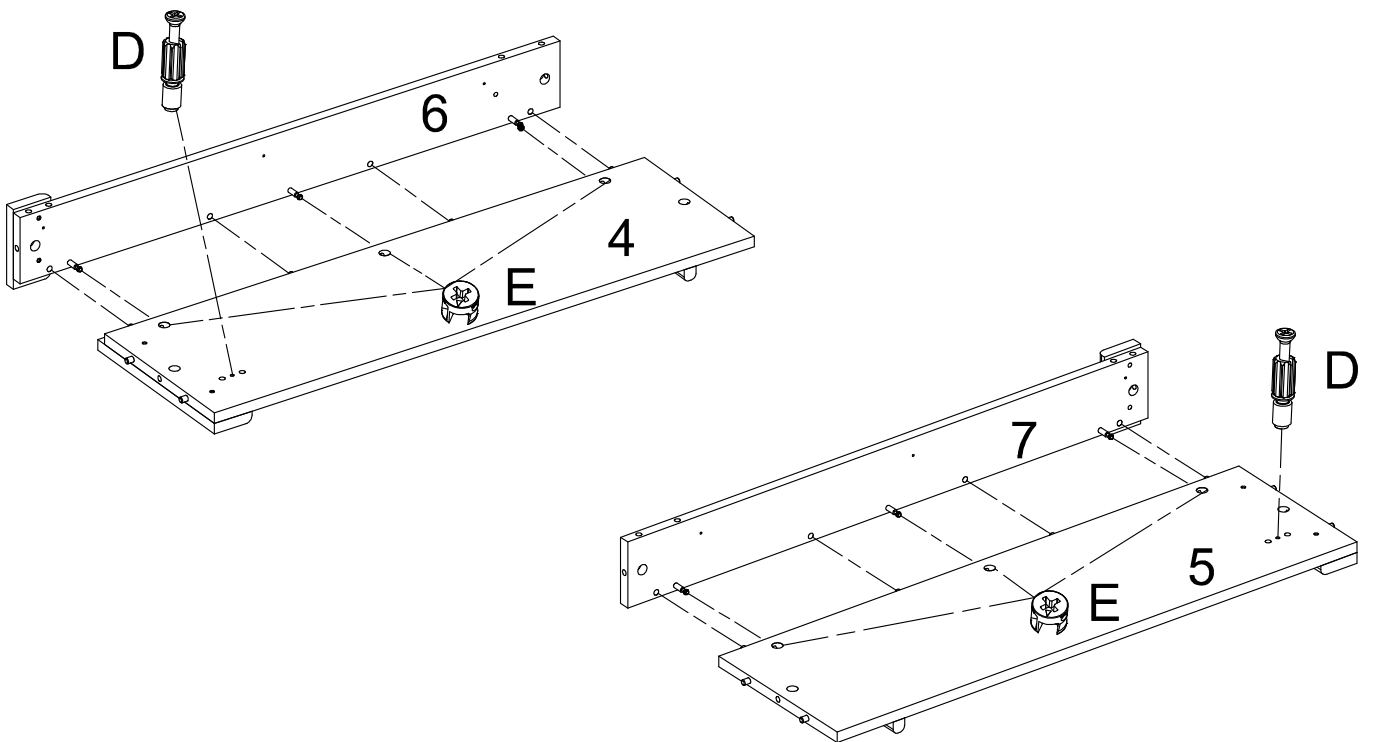
# 1



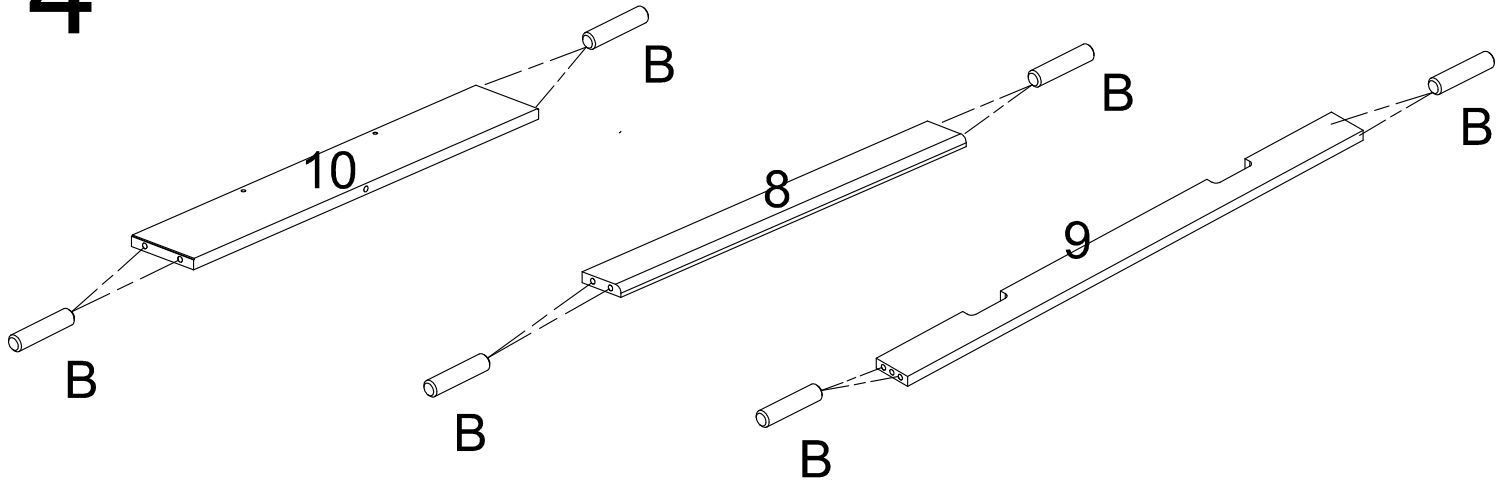
# 2



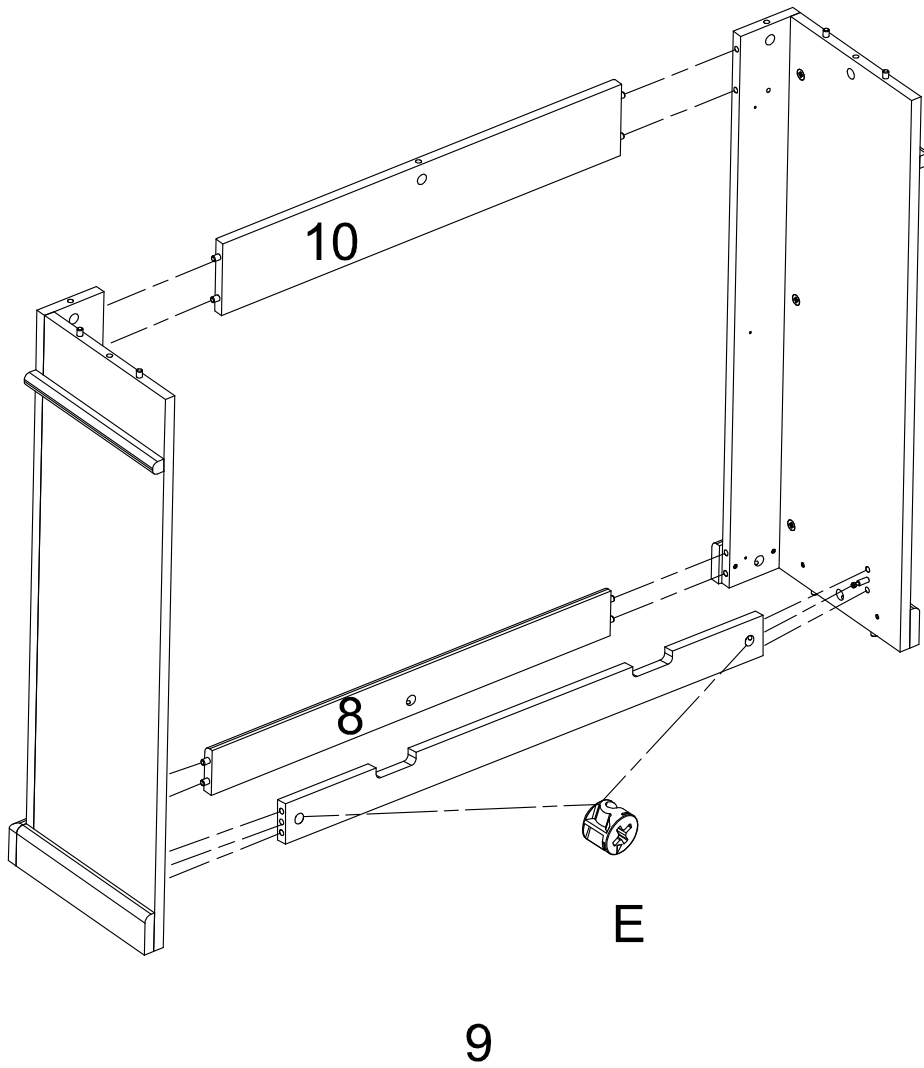
# 3



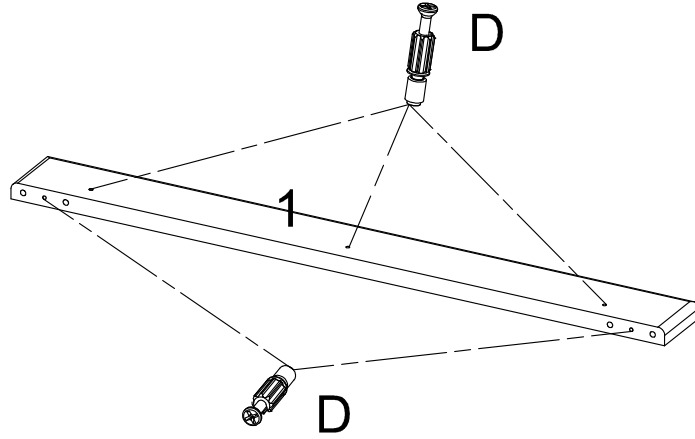
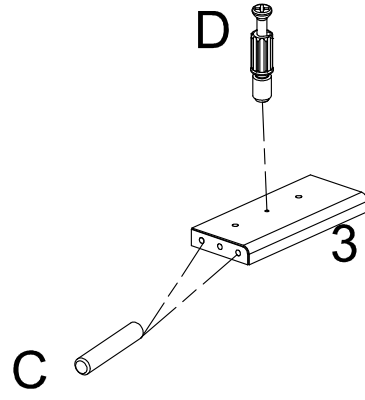
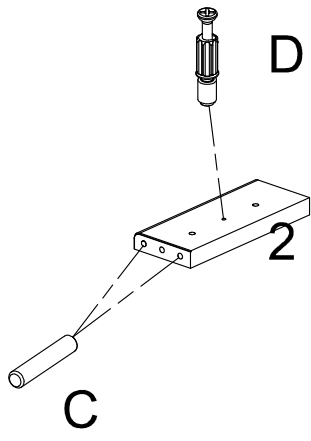
4



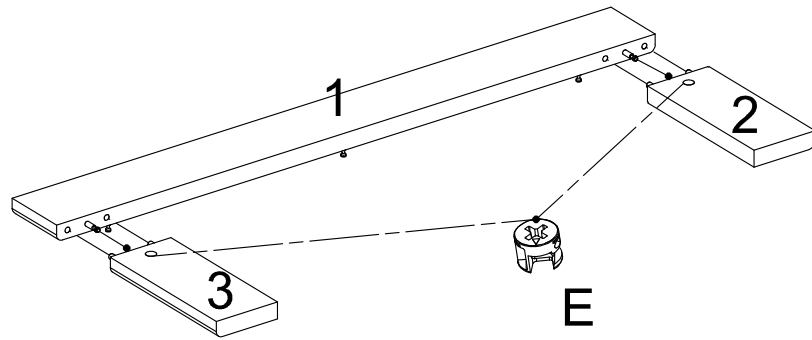
5



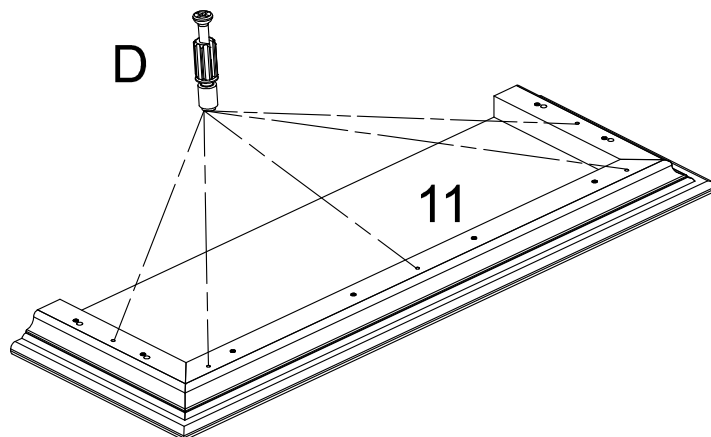
6



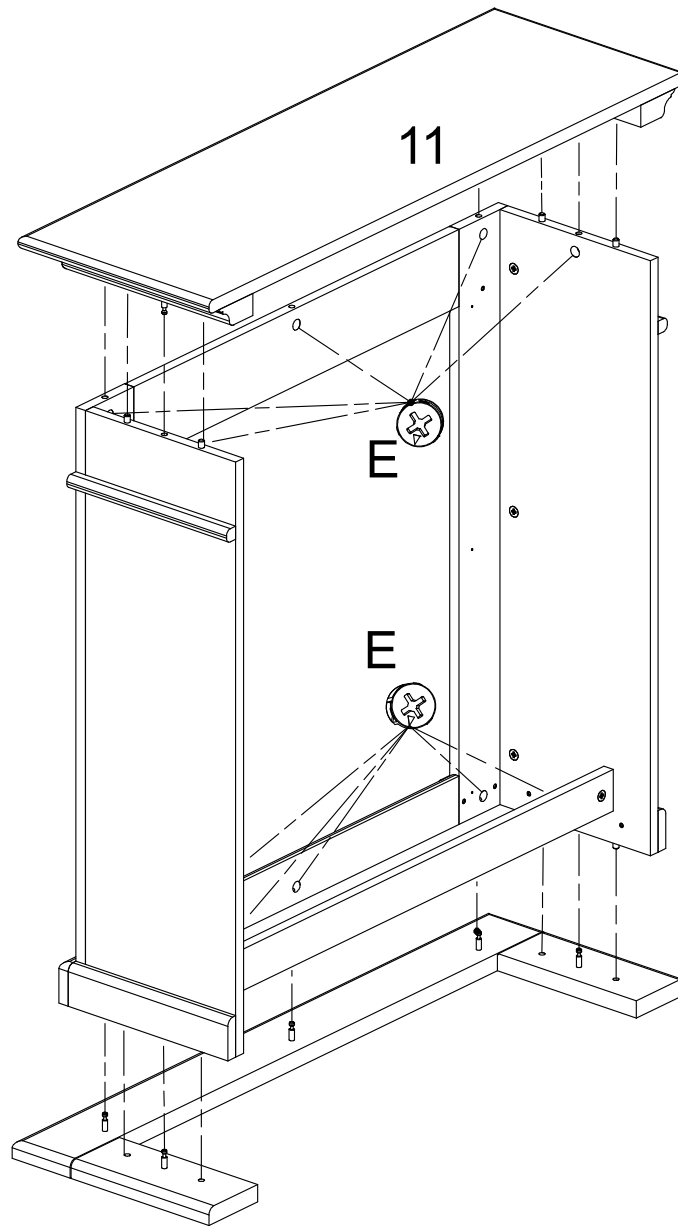
7



8

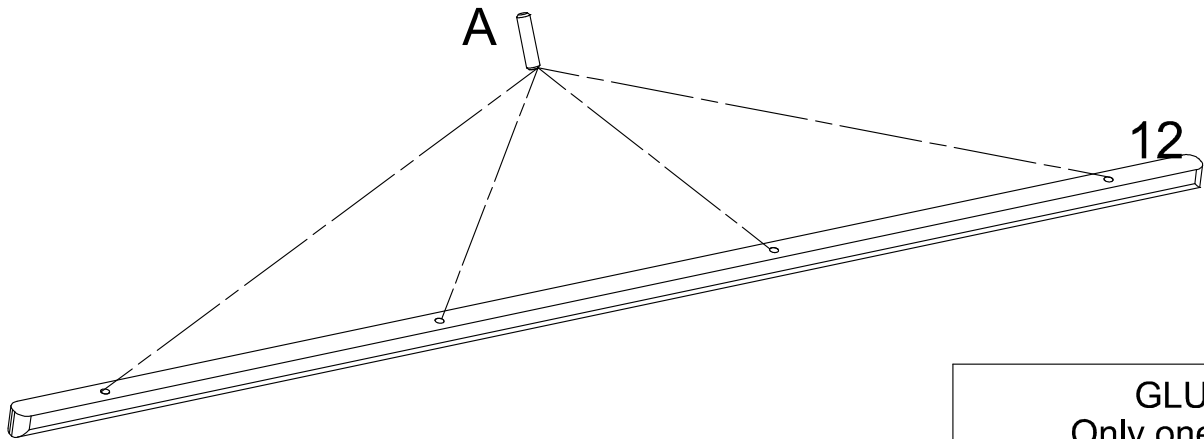


# 9

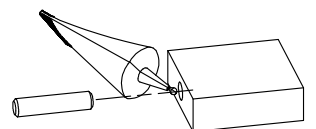


# 10

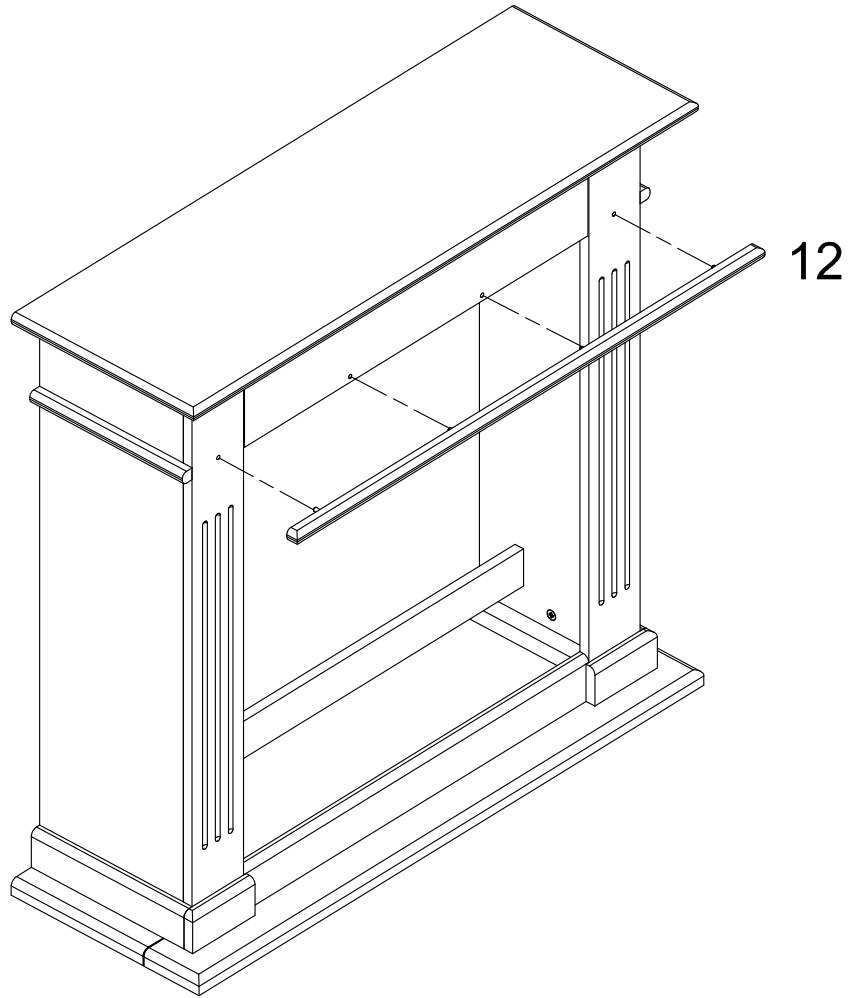
**ATTENTION!**  
Put "12" on hard floor.



**GLUE**  
Only one drop  
for all pins !

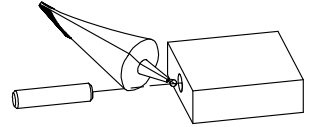


# 11



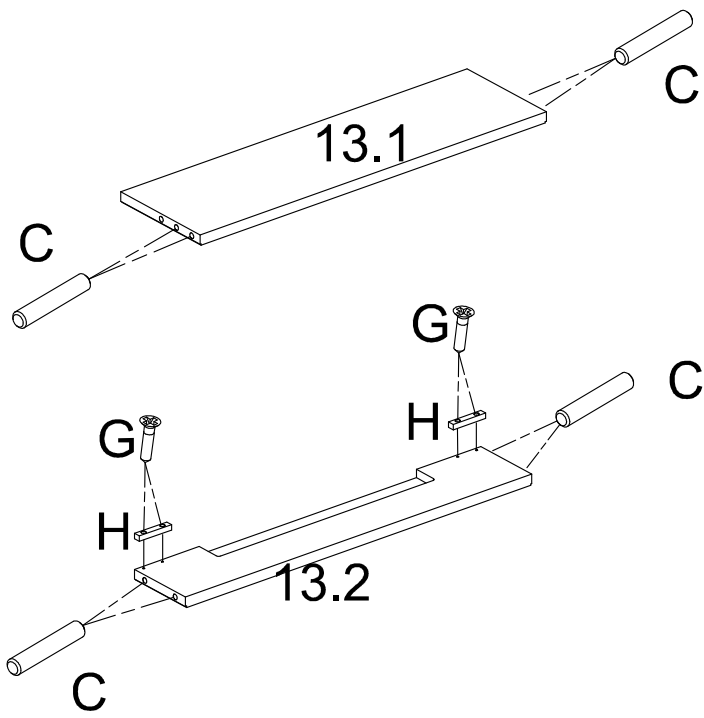
12

**GLUE**  
Only one drop  
for all pins!

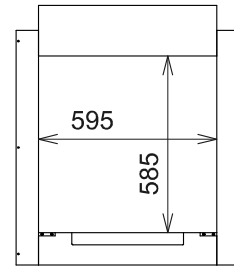
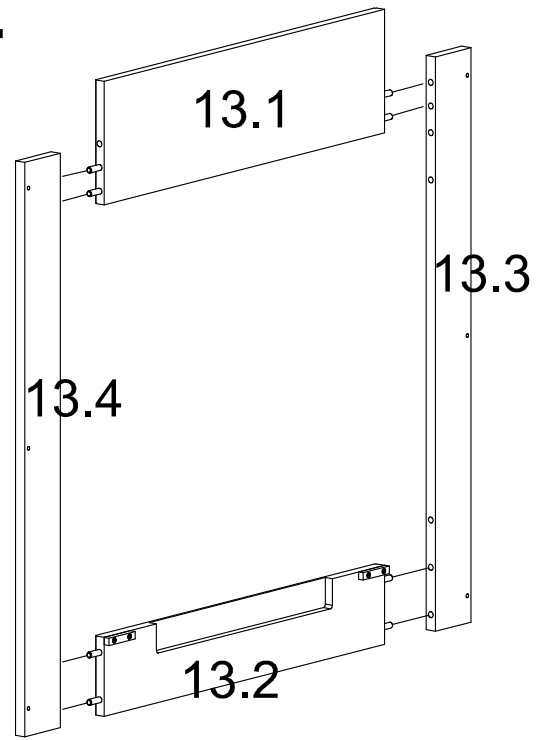


# FOR MELINI + LUCIUS

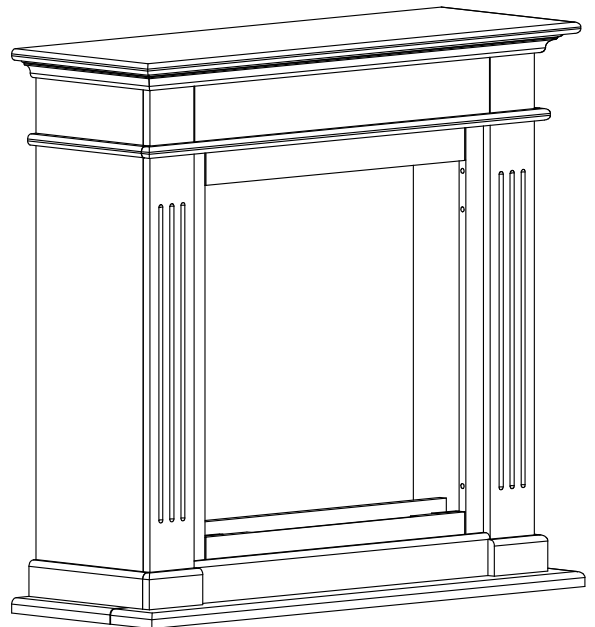
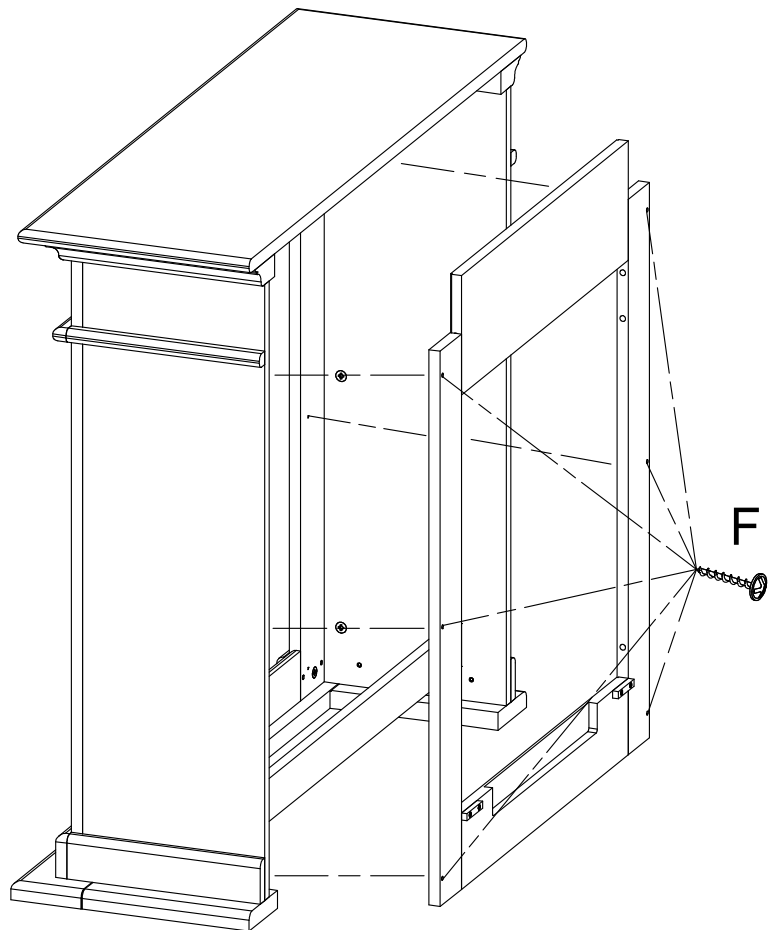
## A1



## A2



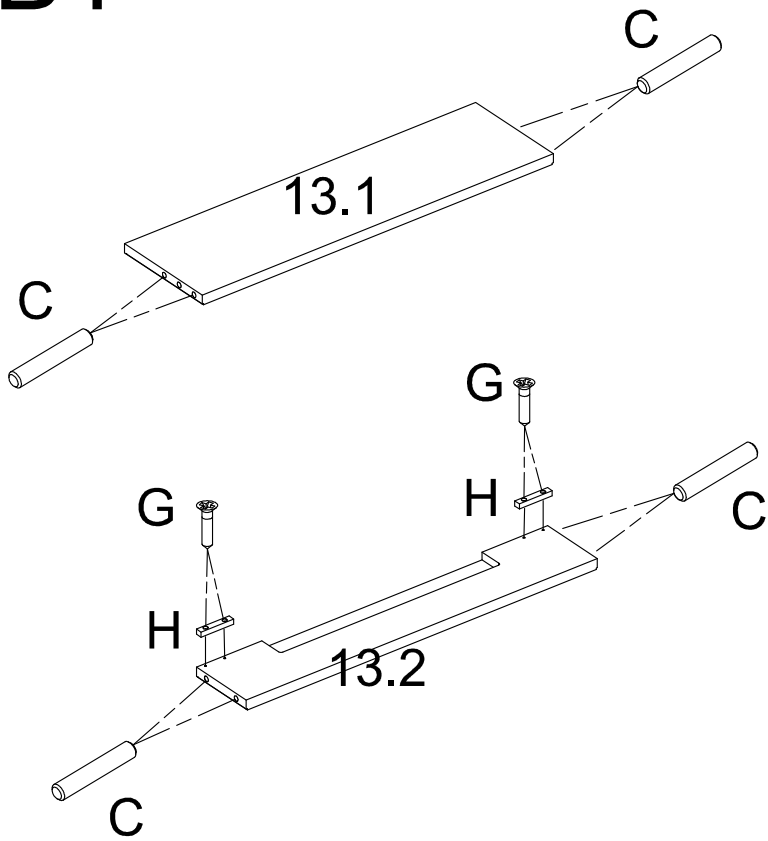
## A3



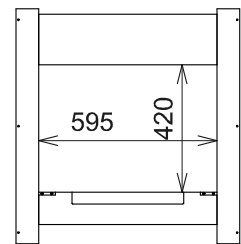
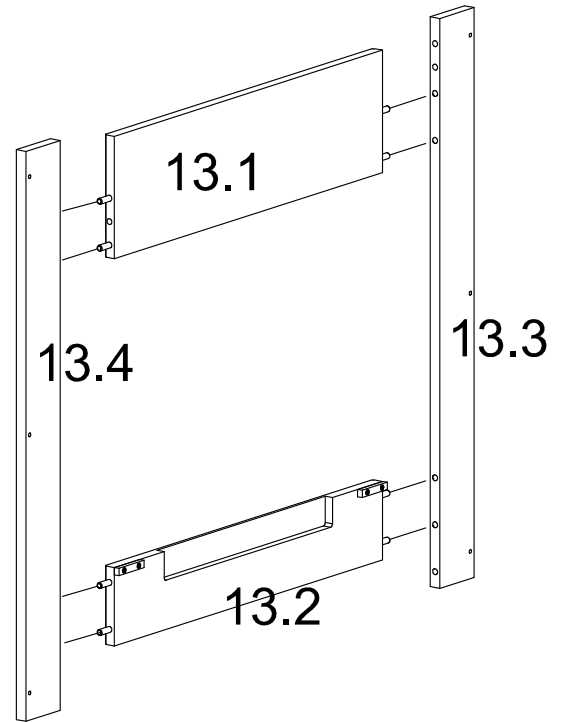


# FOR FLANDRIA

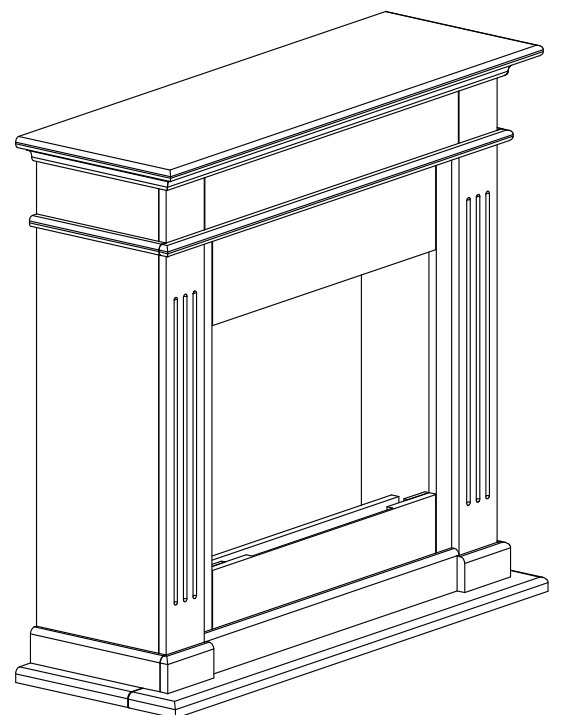
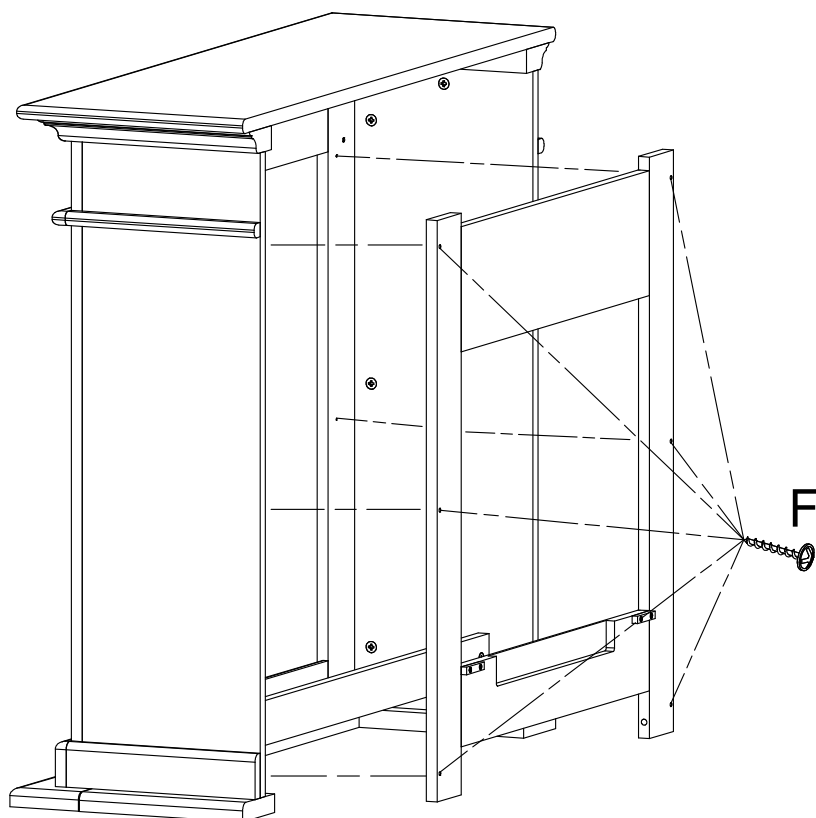
## B1



## B2

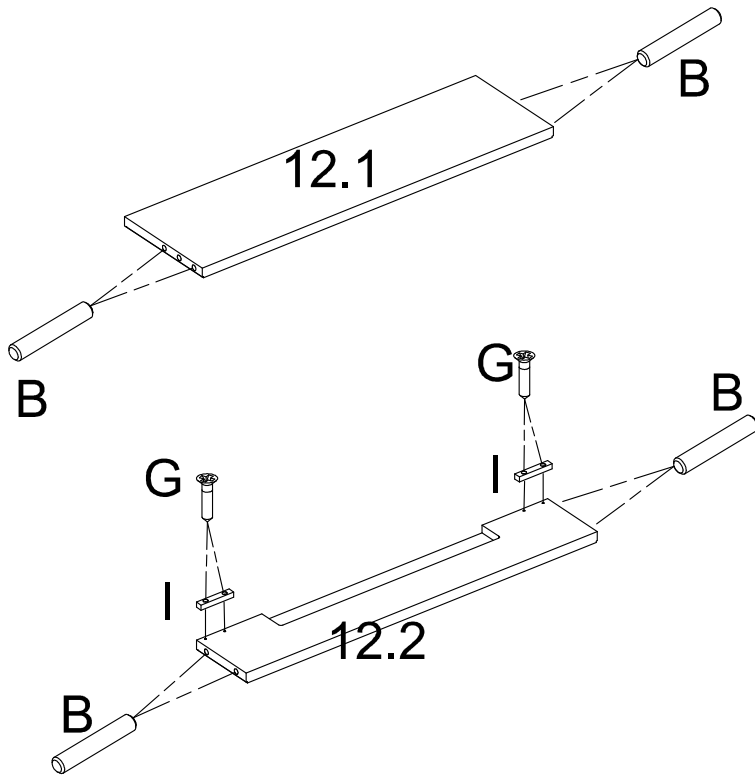


## B3

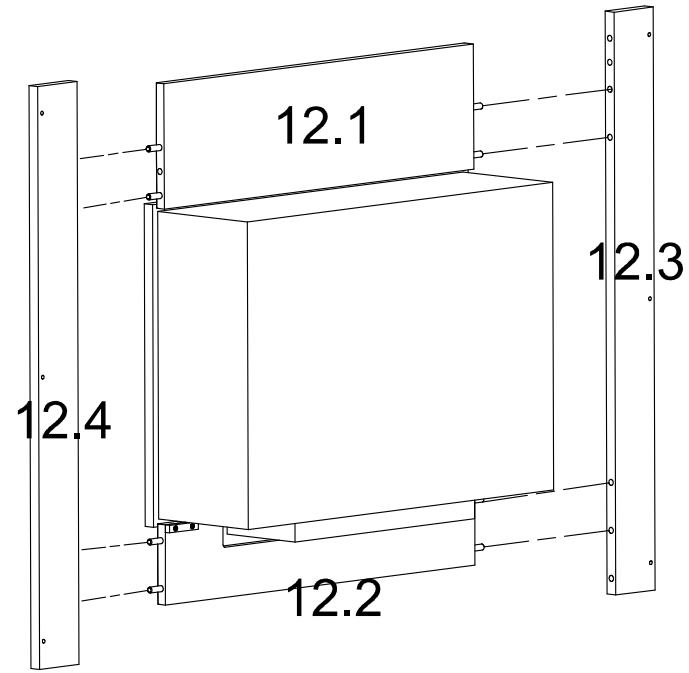


# FOR EMPOLI + RIANO

## C1



## C2



## C3

