



ELECTRIC FIREPLACES

www.amantii.com

## INSTALLATION AND OPERATION INSTRUCTIONS FOR

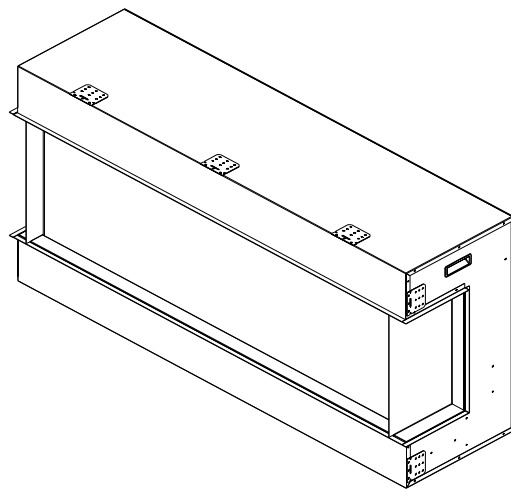
**30-TRV-SLIM**

**40-TRV-SLIM**

**50-TRV-SLIM**

**60-TRV-SLIM**

**72-TRV-SLIM**



### SAFETY INFORMATION



#### WARNING

If the information in these instructions are not followed exactly, a fire or explosion may result causing property damage, personal injury or loss of life.

Do not store or use gasoline or other flammable vapors and liquids in the vicinity of this or any other appliance.

**INSTALLER: LEAVE THIS MANUAL WITH THE APPLIANCE.**

**CONSUMER: RETAIN THIS MANUAL FOR FUTURE REFERENCE.**

## TABLE OF CONTENTS

Please read and carefully follow all instructions found in this manual. Please pay special attention to the safety instructions provided in this manual. The instructions included here will assure that you have many years of dependable and enjoyable service from your Amantii product.

|                                       |    |
|---------------------------------------|----|
| IMPORTANT INSTRUCTIONS.....           | 3  |
| UNPACKING AND TESTING APPLIANCE ..... | 4  |
| GROUNDING APPLIANCE.....              | 4  |
| LOCATING THE FIREPLACE.....           | 4  |
| 30-TRV-SLIM .....                     | 5  |
| 40-TRV-SLIM .....                     | 6  |
| 50-TRV-SLIM .....                     | 7  |
| 60-TRV-SLIM .....                     | 8  |
| 72-TRV-SLIM .....                     | 9  |
| SAFETY DRILL SCREW AREA .....         | 10 |
| HARD-WIRE INSTALLATION .....          | 10 |
| FOR BATHROOM USE .....                | 11 |
| OUTDOOR INSTALLATIONS .....           | 12 |
| INSTALLATION.....                     | 13 |
| MEDIA OPTIONS.....                    | 19 |
| OPERATION.....                        | 20 |
| INSTALLING WALL THERMOSTAT .....      | 22 |
| REPLACEMENT PARTS.....                | 23 |
| EXPLODED VIEW .....                   | 25 |
| WIRING DIAGRAM .....                  | 26 |
| TROUBLE SHOOTING.....                 | 27 |
| SERVICE HISTORY.....                  | 28 |
| WARRANTY .....                        | 29 |

## IMPORTANT INSTRUCTIONS

PLEASE RETAIN THIS USER GUIDE FOR FUTURE REFERENCE

When using electrical appliances, basic precautions should always be followed to reduce the risk of fire, electric shock, and injury to persons, including the following:

- 1) Read all instructions before using this fireplace
- 2) The fireplace is hot when in use. To avoid burns, do not let bare skin touch hot surfaces. Keep combustible material such as furniture, cushions, bedding, paper, clothes, curtains at least 3 feet from the front of the unit
- 3) Extreme caution is necessary when any heater is used near children and whenever the unit is left operating and unattended
- 4) Do not operate a fireplace with a damaged cord or plug, or if the heater has malfunctioned, the fireplace has dropped or damaged in any manner
- 5) Not all fireplaces are suitable for use in bathrooms or laundry facilities. Please consult with individual product literature to confirm suitability
- 6) Do not run the cord under carpeting. Do not cover cord with throw rugs, runners or the like. Arrange the cord away from traffic area and where it will not be tripped over
- 7) Do not modify this fireplace. Use it as described in the manual. Any other use not recommended by the manufacture may cause fire, shock or injury to persons
- 8) Do not use this heater with a programmer, timer, separate remote-control system or any other device that switches the heater on automatically, since a fire risk exists if the heater is covered or positioned incorrectly
- 9) Disconnect all power supply before cleaning, maintenance or relocation of the fireplace
- 10) Keep the heater clean. Do not allow any objects to enter any ventilation or exhaust opening as this may cause electric shock, fire or damage to the heater
- 11) Do not immerse the cord, plug or any part of the appliance in water or any other liquid
- 12) In order to avoid a hazard due to inadvertent resetting of the thermal cut-out, this appliance must not be supplied through an external switching device

**CAUTION:** Procedures and techniques, which, if not carefully followed, will result in damage to the equipment.

**WARNING:** Procedures and techniques, which, if not carefully followed, will expose the user to the risk of fire, serious injury, illness or death.

## UNPACKING AND TESTING APPLIANCE

Carefully remove the appliance from the box.

Prior to installing the appliance, test to make sure the appliance operates properly by plugging the power supply cord into a conveniently located 120 Volt grounded outlet.

Test all aspects of its operation (manual switches, remote and heater) to make sure all components operate correctly.

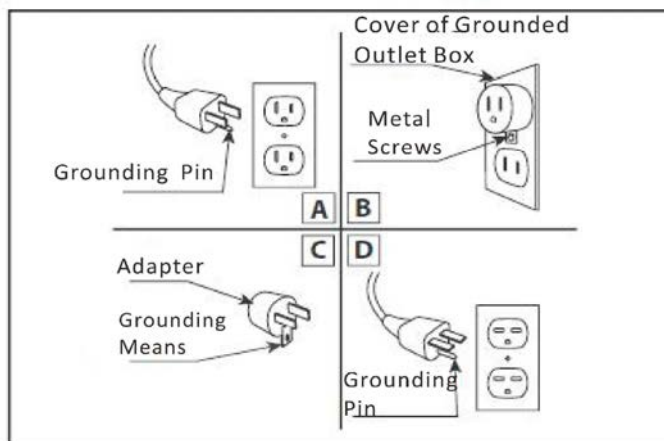
As with most electronic devices, your new electric fireplace has been designed to operate at temperatures between 5 °C (41°F) and 35 °C (95°F). During the cold winter months, allow the fireplace to reach room temperature before turning it on.

**NOTE: There may be trace of odor during the first few minutes of initial use. This is harmless, normal and will never occur again.**

## GROUNDING APPLIANCE

This appliance is for use on 120 Volts. The cord has a plug as shown in (A). An adapter as shown in (C) is available for connecting three-blade grounding type plugs to two-slot receptacles. The green grounding lug extending from the adapter must be connected to a permanent ground such as a properly grounded outlet box. The adapter should not be used if a three-slot grounded receptacle is available.

To disconnect appliance, turn controls to off, then remove plug from outlet.



## LOCATING THE FIREPLACE

Plan where to locate and frame the fireplace. This will save time and money later when you install the fireplace. Before installation consider the following:

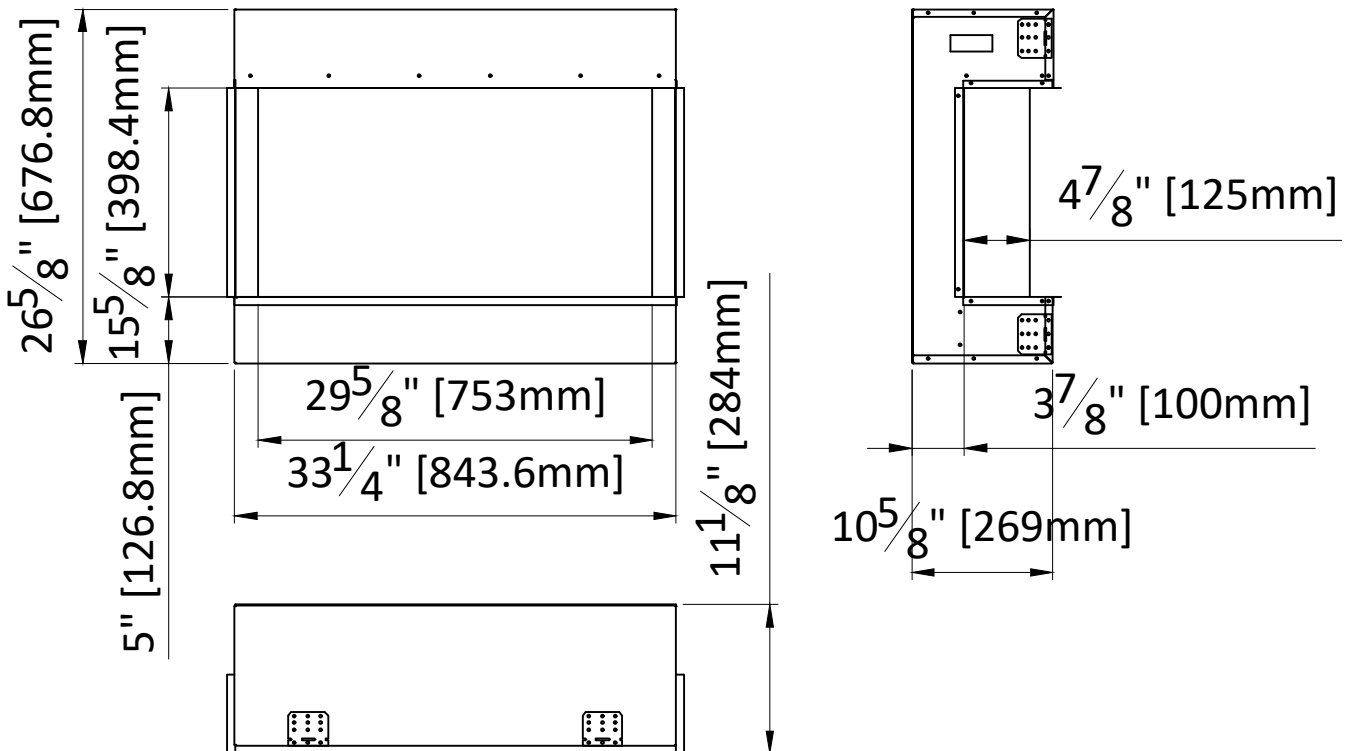
1. Where the fireplace is located must allow for wall and ceiling clearances
2. Consider a location where the fireplace screen will not be exposed to direct sunlight from windows or doors.
3. A 15 ampere, 120 Volt, 60 Hz branch circuit with proper ground must be available at the location. Preferably a dedicated branch circuit should be provided to avoid circuit breakers to trip of fuses to blow.

### 30-TRV-SLIM

| Description             | Built-in Appliance                        |
|-------------------------|---|
| Voltage                 | 120V AC 60Hz                              |
| Watts                   | 1500W Max                                 |
| NO HEATER               | 25W                                       |
| MOTOR HEATER            | 19W                                       |
| Appliance Width         | 33 1/4" or 84.4 cm                        |
| Appliance Height        | 26 5/8" or 67.7 cm                        |
| Appliance Depth         | 10 5/8" or 27 cm                          |
| Gross Weight            | 85.3 lbs or 38.7 kgs                      |
| Plug Location           | Left side                                 |
| Cord Length             | 70 7/8" or 180 cm                         |
| Rough Wall Opening Size | 33 3/4" × 27 5/8" or<br>85.7 cm × 70.2 cm |
| BTU                     | 4800                                      |

This appliance has been tested in accordance with the UL Standard 2021 for fixed and location dedicated electric room appliances in the United States and Canada. If you need assistance during installation, please contact your local dealer.

NOTE: This appliance must be electrically wired and grounded in accordance with local codes. In the absence of local codes, use the current CSA C22.1 Canadian Electrical Code in Canada or the ANSI/NFPA 70 National Electrical Code in the United States.

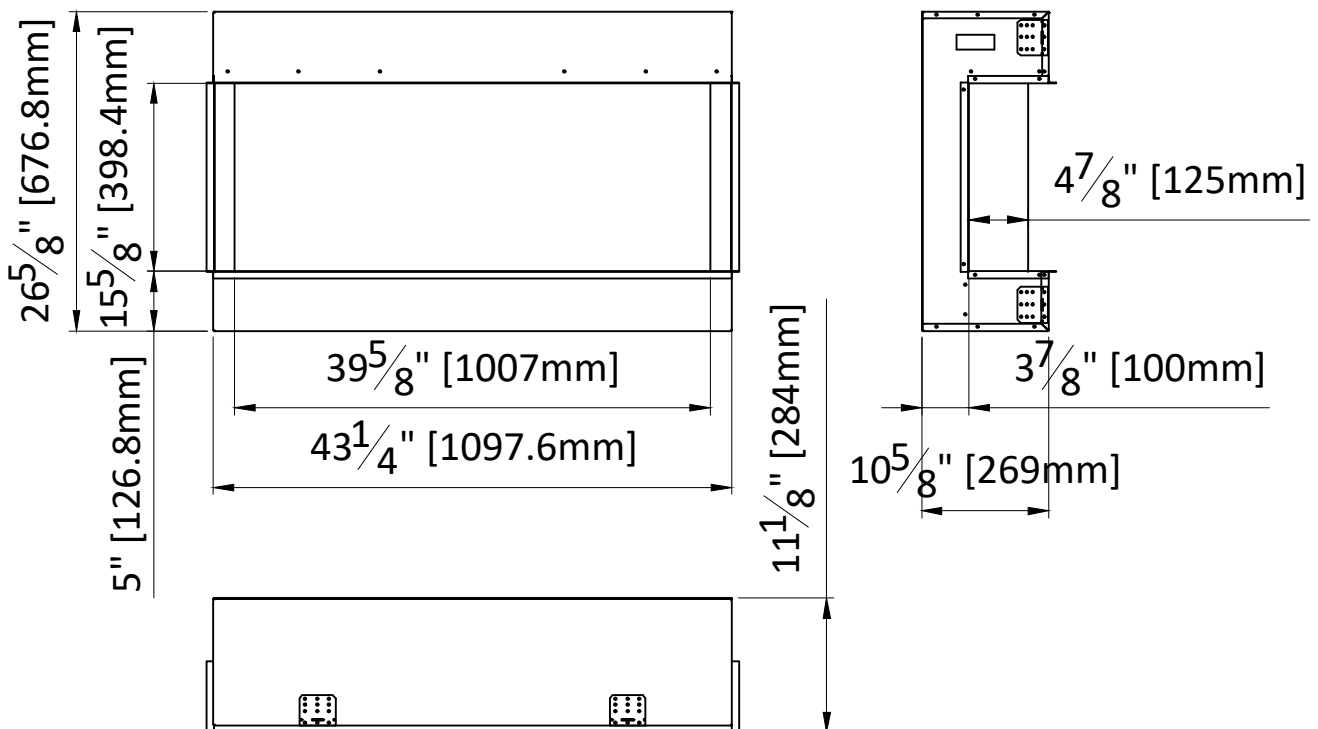


## 40-TRV-SLIM

| Description             | Built-in Appliance                         |
|-------------------------|--|
| Voltage                 | 120V AC 60Hz                               |
| Watts                   | 1500W Max                                  |
| NO HEATER               | 25W  |
| MOTOR HEATER            | 19W  |
| Appliance Width         | 43 1/4" or 109.7 cm                        |
| Appliance Height        | 26 5/8" or 67.7 cm                         |
| Appliance Depth         | 10 5/8" or 36.3 cm                         |
| Gross Weight            | 103.6 lbs or 47 kgs                        |
| Plug Location           | Left side                                  |
| Cord Length             | 70 7/8" or 180 cm                          |
| Rough Wall Opening Size | 43 3/4" × 27 5/8" or<br>111.2 cm × 70.2 cm |
| BTU                     | 4800                                       |

This appliance has been tested in accordance with the UL Standard 2021 for fixed and location dedicated electric room appliances in the United States and Canada. If you need assistance during installation, please contact your local dealer.

NOTE: This appliance must be electrically wired and grounded in accordance with local codes. In the absence of local codes, use the current CSA C22.1 Canadian Electrical Code in Canada or the ANSI/NFPA 70 National Electrical Code in the United States.

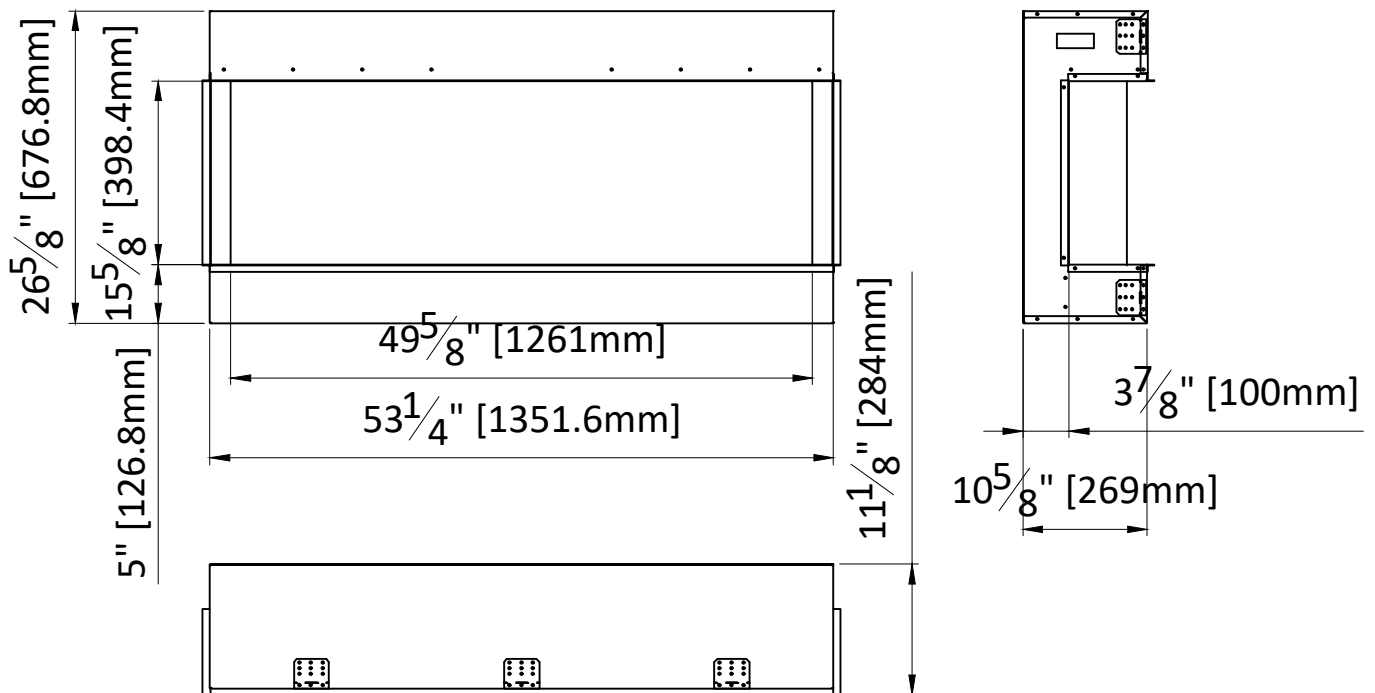


## 50-TRV-SLIM

| Description             | Built-in Appliance                         |
|-------------------------|--|
| Voltage                 | 120V AC 60Hz                               |
| Watts                   | 1500W Max                                  |
| NO HEATER               | 25W  |
| MOTOR HEATER            | 19W  |
| Appliance Width         | 53 1/4" or 135.2 cm                        |
| Appliance Height        | 26 5/8" or 67.7 cm                         |
| Appliance Depth         | 10 5/8" or 27 cm                           |
| Gross Weight            | 121.5 lbs or 55.1 kgs                      |
| Plug Location           | Left side                                  |
| Cord Length             | 70 7/8" or 180 cm                          |
| Rough Wall Opening Size | 53 3/4" × 27 5/8" or<br>136.5 cm × 70.2 cm |
| BTU                     | 4800                                       |

This appliance has been tested in accordance with the UL Standard 2021 for fixed and location dedicated electric room appliances in the United States and Canada. If you need assistance during installation, please contact your local dealer.

NOTE: This appliance must be electrically wired and grounded in accordance with local codes. In the absence of local codes, use the current CSA C22.1 Canadian Electrical Code in Canada or the ANSI/NFPA 70 National Electrical Code in the United States.

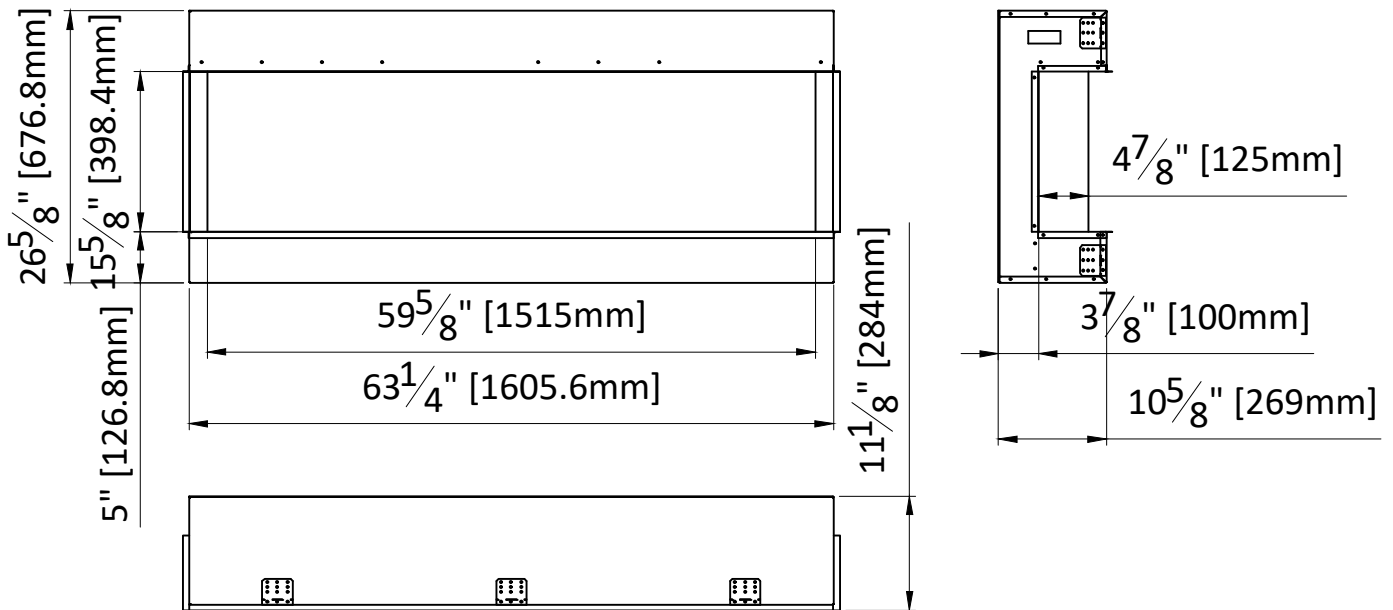


## 60-TRV-SLIM

| Description             | Built-in Appliance                       |
|-------------------------|--|
| Voltage                 | 120V AC 60Hz                             |
| Watts                   | 1500W Max                                |
| NO HEATER               | 25W                                      |
| MOTOR HEATER            | 19W                                      |
| Appliance Width         | 63 1/4" or 160.6 cm                      |
| Appliance Height        | 26 5/8" or 67.7 cm                       |
| Appliance Depth         | 10 5/8" or 27cm                          |
| Gross Weight            | 140.2 lbs or 63.6 kgs                    |
| Plug Location           | Left side                                |
| Cord Length             | 70 7/8" or 180 cm                        |
| Rough Wall Opening Size | 63 3/4" × 27 5/8" or<br>162 cm × 70.2 cm |
| BTU                     | 4800                                     |

This appliance has been tested in accordance with the UL Standard 2021 for fixed and location dedicated electric room appliances in the United States and Canada. If you need assistance during installation, please contact your local dealer.

NOTE: This appliance must be electrically wired and grounded in accordance with local codes. In the absence of local codes, use the current CSA C22.1 Canadian Electrical Code in Canada or the ANSI/NFPA 70 National Electrical Code in the United States.



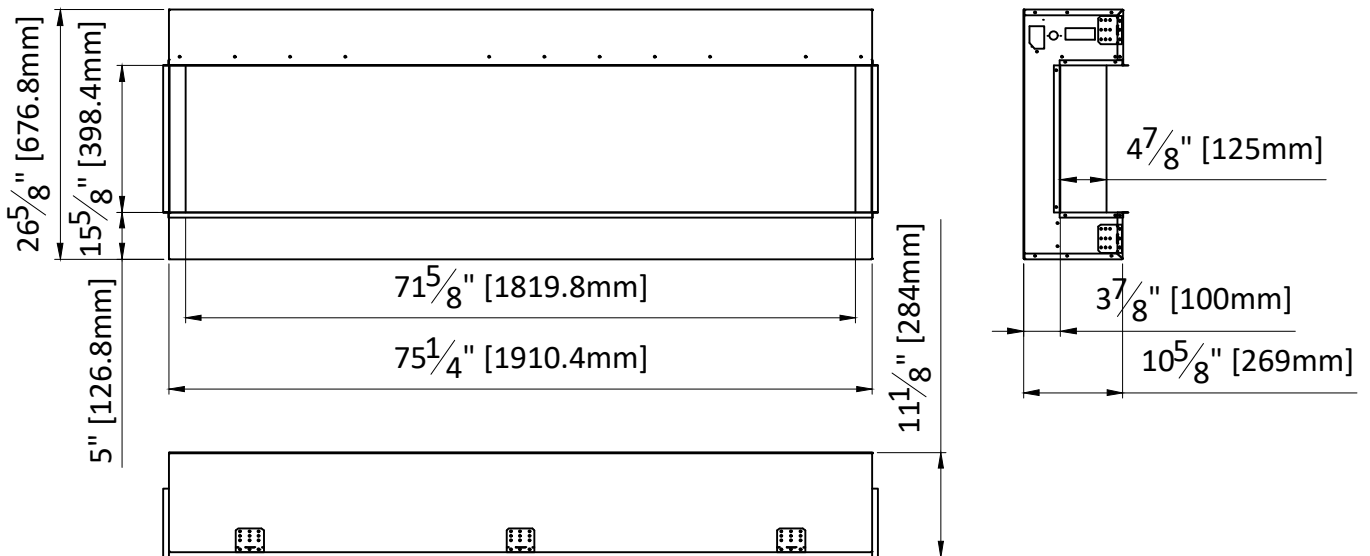


## 72-TRV-SLIM

| Description             | Built-in Appliance                         |
|-------------------------|--|
| Voltage                 | 120V AC 60Hz                               |
| Watts                   | 1500W Max                                  |
| NO HEATER               | 25W  |
| MOTOR HEATER            | 19W  |
| Appliance Width         | 75 1/4" or 191 cm                          |
| Appliance Height        | 26 5/8" or 67.7 cm                         |
| Appliance Depth         | 10 5/8" or 27 cm                           |
| Gross Weight            | 167.1 lbs or 75.8 kgs                      |
| Plug Location           | Left side                                  |
| Cord Length             | 70 7/8" or 180 cm                          |
| Rough Wall Opening Size | 75 3/4" × 27 5/8" or<br>192.4 cm × 70.2 cm |
| BTU                     | 4800                                       |

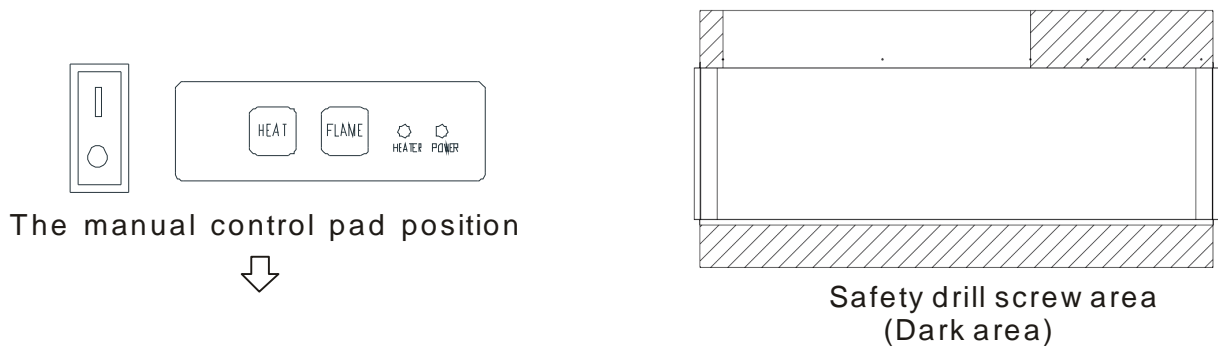
This appliance has been tested in accordance with the UL Standard 2021 for fixed and location dedicated electric room appliances in the United States and Canada. If you need assistance during installation, please contact your local dealer.

**NOTE:** This appliance must be electrically wired and grounded in accordance with local codes. In the absence of local codes, use the current CSA C22.1 Canadian Electrical Code in Canada or the ANSI/NFPA 70 National Electrical Code in the United States.



## SAFETY DRILL SCREW AREA

There is a safety drill screw area as show below.  
Please make sure that the fix screws are in this area.



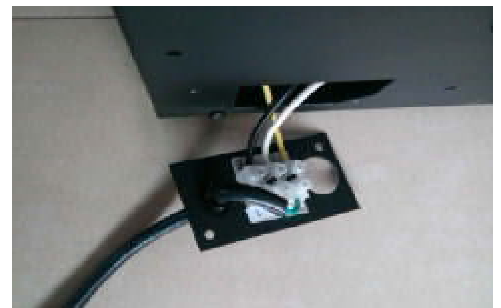
## HARD- WIRE INSTALLATION

Turn off the appliance completely and let cool before servicing. Only a qualified service person should service and repair this electric appliance.

If it is necessary to hard wire this appliance, a qualified electrician must remove the cord connection, and wire the appliance directly to the household wiring.

This appliance must be electrically connected and grounded in accordance with local codes, if hard wired. In the absence of local codes, use the current CSA C22.1 CANADIAN ELECTRICAL CODE in Canada or the current ANSI/NFPA 70 NATIONAL ELECTRICAL CODE in the United States.

1. Remove the cover plate from the left side of the appliance by removing the two screws, as shown below. Unscrew and remove power cord.



2. Attach the wiring to the junction block. Please make sure the live wire goes into the “L”, the neutral wire into “N” and the ground wire into “G”.



3. Put the plate back and screw back.

## FOR BATHROOM USE

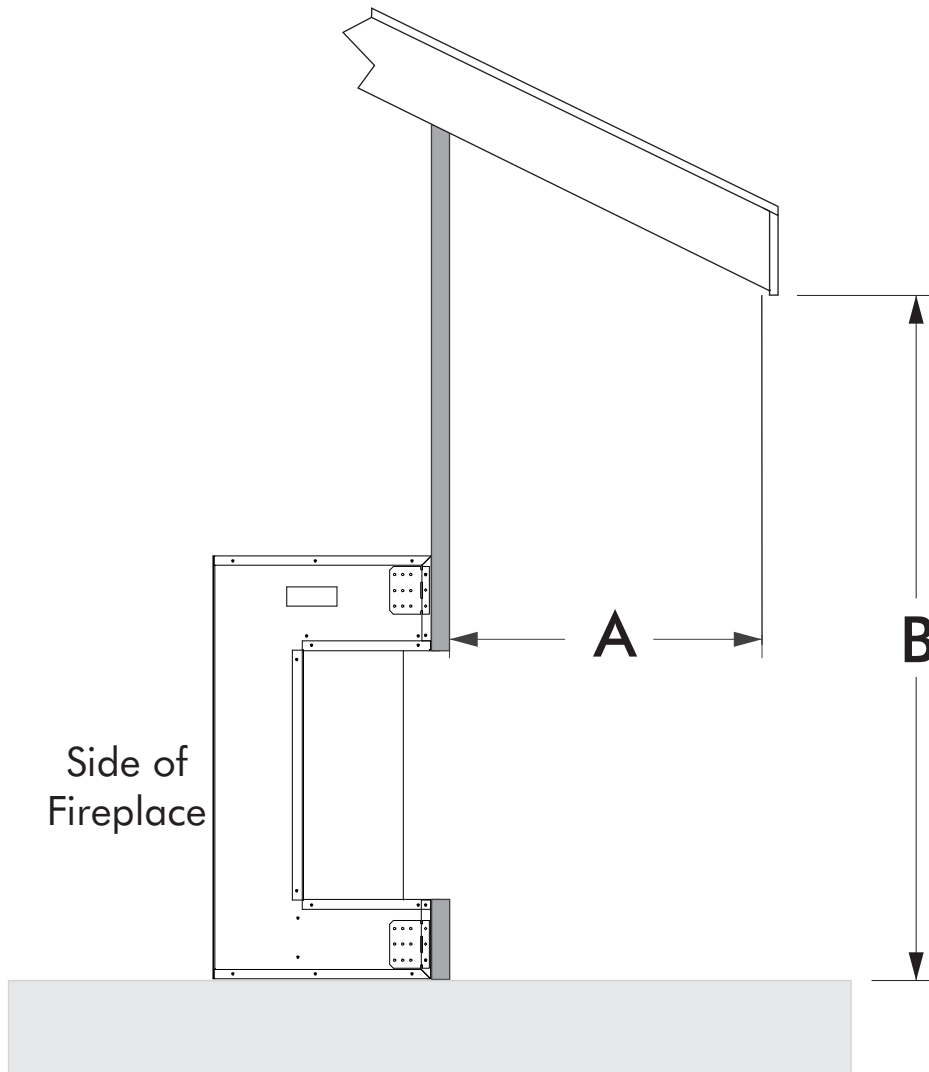
If this unit is installed in a bathroom it must be protected by a GFI receptacle or circuit. If receptacle is used it must be readily accessible.

To prevent electric shock, please be aware that this unit is an electrical appliance that is NOT watertight and must be installed as to prevent water from entering unit. This must be installed away from showers, tubs, etc. Never locate fireplace where it may fall into a bathtub or other water container.

All wiring connections to line power shall be in accordance with local building code requirements. Inquires about local codes and regulations must be done prior to installation.

## OUTDOOR INSTALLATION

The TRV-SLIM series electric fireplaces are suitable for installation in outdoor areas protected from direct water impingement. In addition to maintaining the listed mantel and combustibles clearances, a rain protection overhang factor of 1/2 shall be constructed to the front and to each side of the installed appliance. See illustration below. All wiring connections to line power shall be in accordance with local building code requirement. Inquires about local codes and regulations must be done prior to installation.



The overhang (A) must extend at least 1/2 the roof-line height (B). Height is measured from the base of the fireplace.

For example: if the roof-line (B) is 8' above the base of the fireplace, the overhang (A) must be at least 4'.

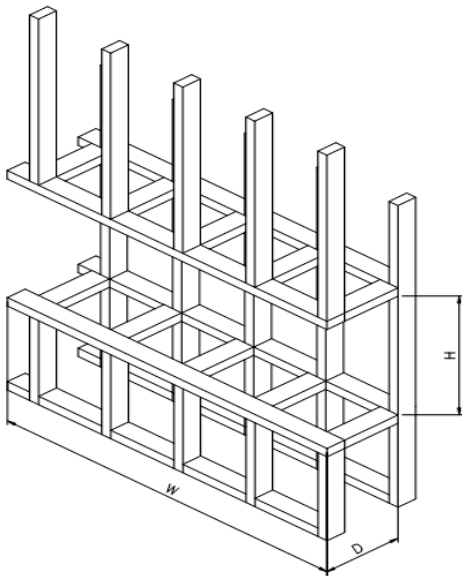
## INSTALLATION

The TRV-SLIM models are designed to be built-in and allow for the finishing material (drywall, stone, tile, etc) to be built right down to the glass edge.

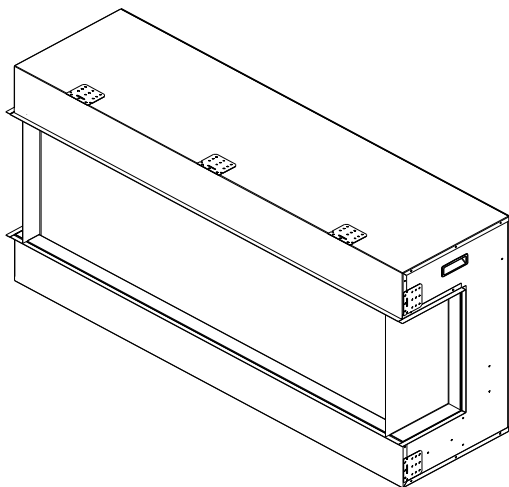
The rough wall opening size of the fireplace:

NOTE: Due to the many different materials used on different walls, it is highly recommended that you consult your local builder before you install this appliance.

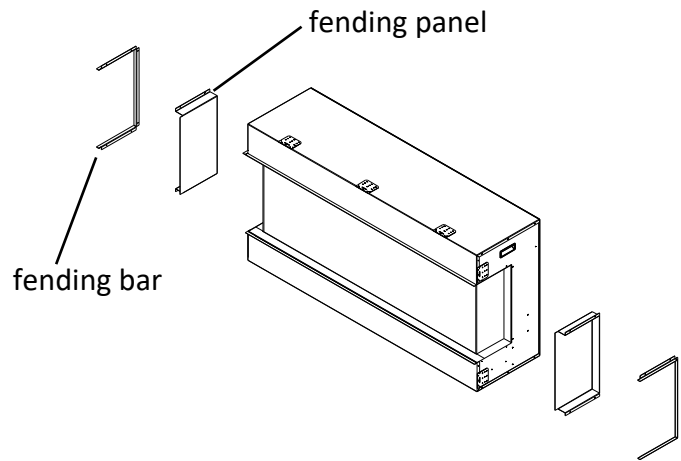
|             | W( " ) | D( " )  | H( " ) |
|-------------|--------|---------|--------|
| 30-TRV-SLIM | 33 3/4 | 11 1/8" | 27 1/8 |
| 40-TRV-SLIM | 43 3/4 | 11 1/8" | 27 1/8 |
| 50-TRV-SLIM | 53 3/4 | 11 1/8" | 27 1/8 |
| 60-TRV-SLIM | 63 3/4 | 11 1/8" | 27 1/8 |
| 72-TRV-SLIM | 75 3/4 | 11 1/8" | 27 1/8 |



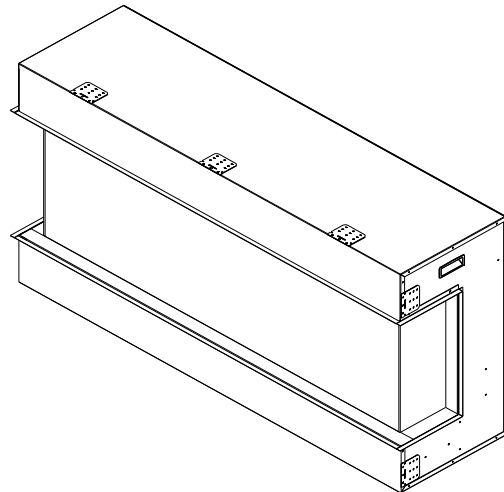
1. Product is fixed with fending bars and panels on the left and right side.



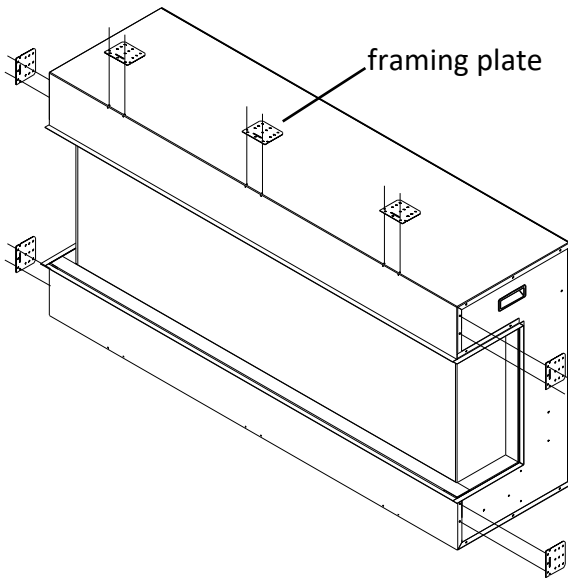
2. Take off the fending bars and panels if you want to view the fire from three angles.



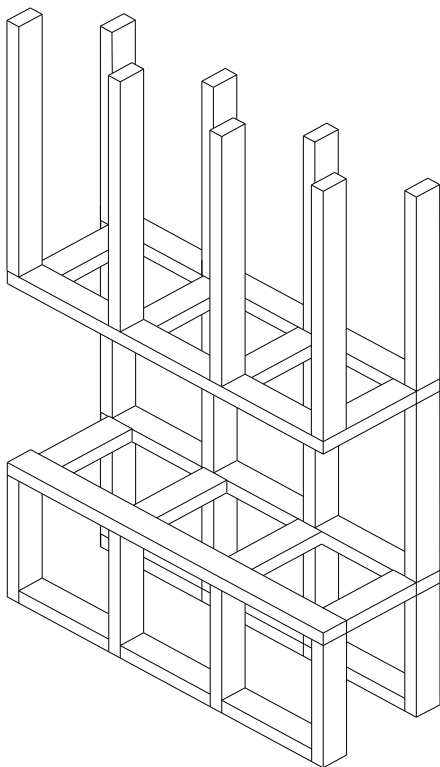
3. Screw back the fending bar after the panel is removed.



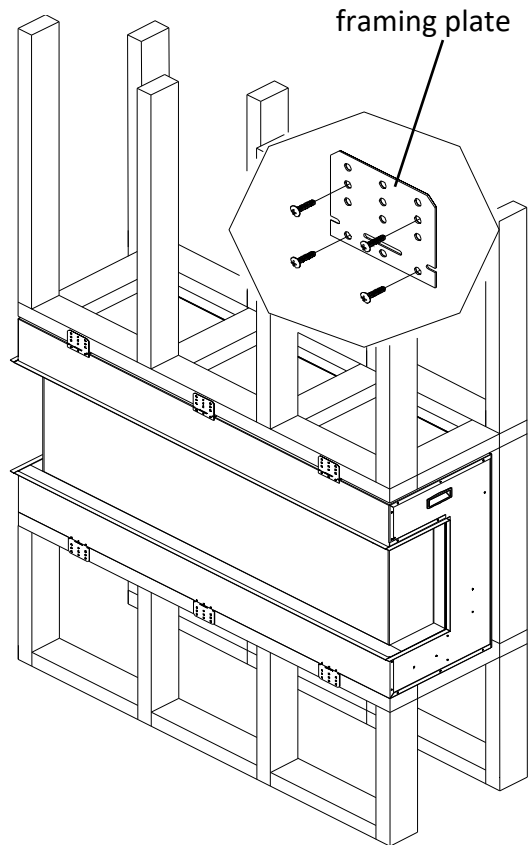
4. Remove the framing plates from the fireplace and fix them as the picture shows. NOTE: After removing framing plates on the left and right sides, screw back the screws.



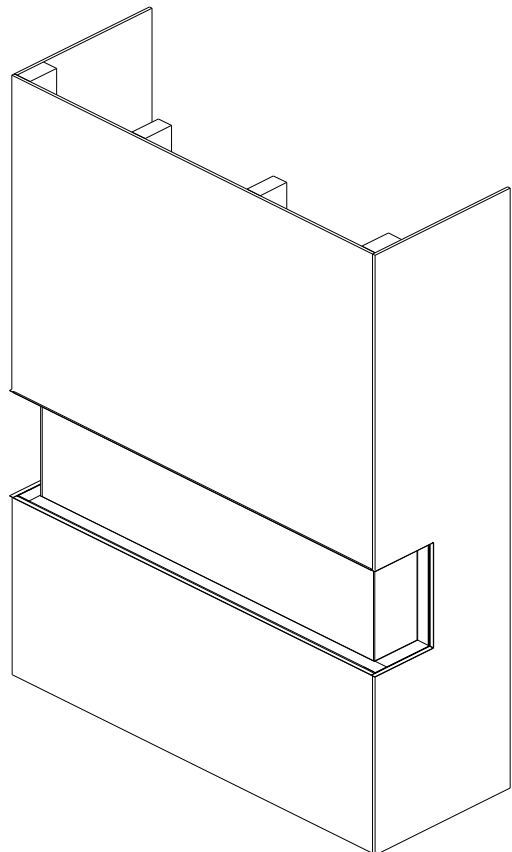
5. Make an opening for the fireplace according to requested measurement.



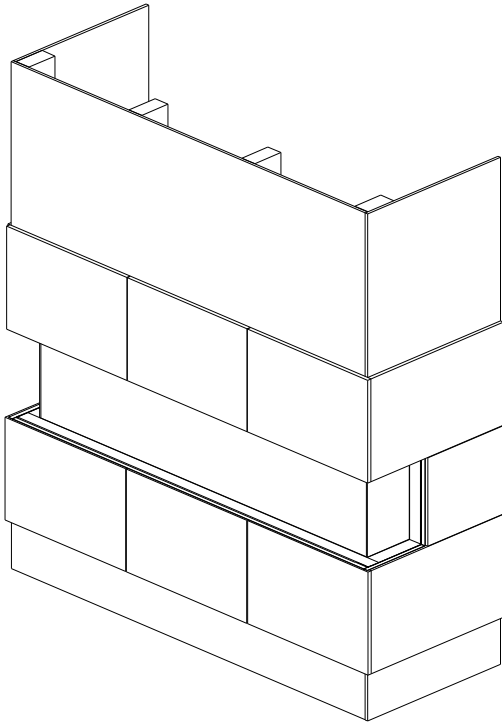
6. Insert the fireplace into the wall opening. Drive the mounting screws into the frame plates on the unit and the wall studs. To fix the bottom of the fireplace and the wall studs with the framing plates that you've removed from left and right side of the fireplace at STEP 4. Plug in and check if the fireplace works.



7. After checking that the fireplace operates properly, cover the glass panels with protective plastic bag and install plywood or drywall.

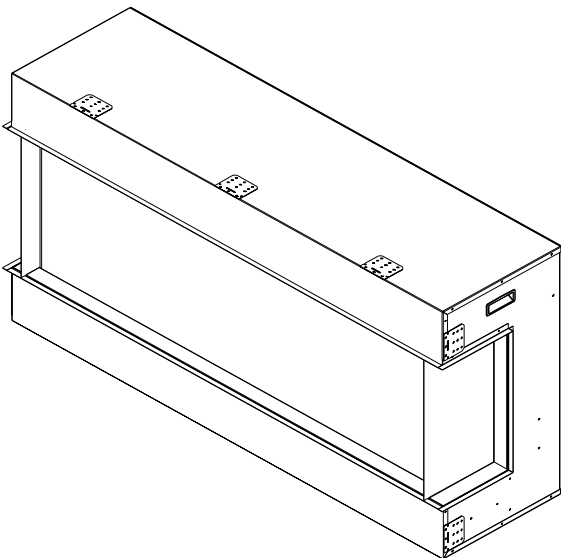


- Decorate the plywood or drywall with glazed tile, wallpaper, etc.

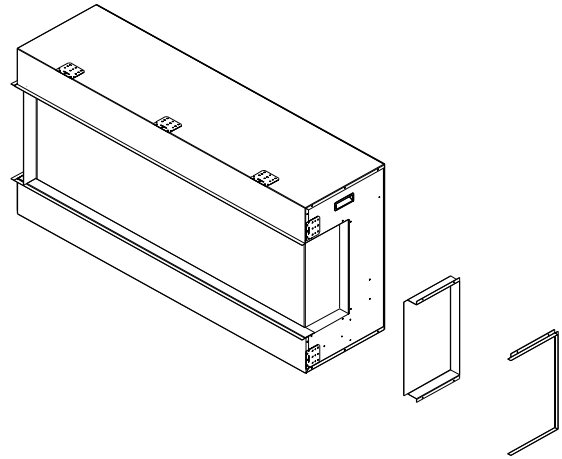


### Installation for Front and right side Viewing

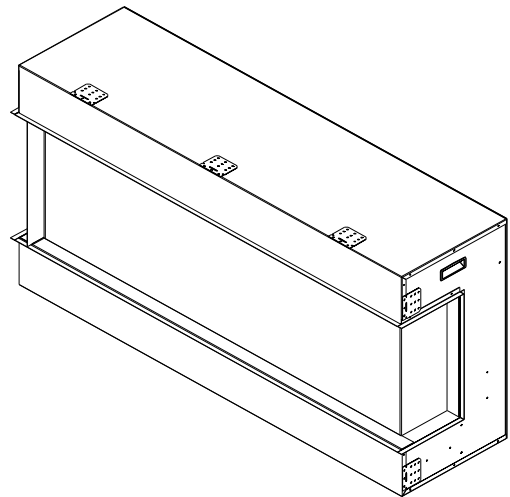
- To install the fireplace where the left side is close to a wall, and you want to view the fire from front and right side, take off the fending panel on the right.



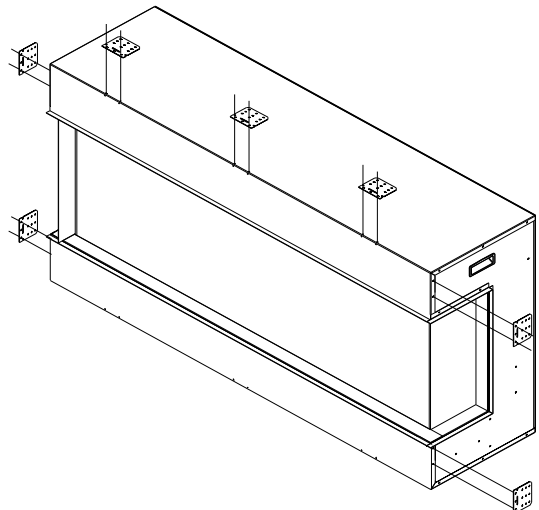
- Unscrew 7 screws on the right side that fix the fending bar and panel and then take off the fending bar and panel.



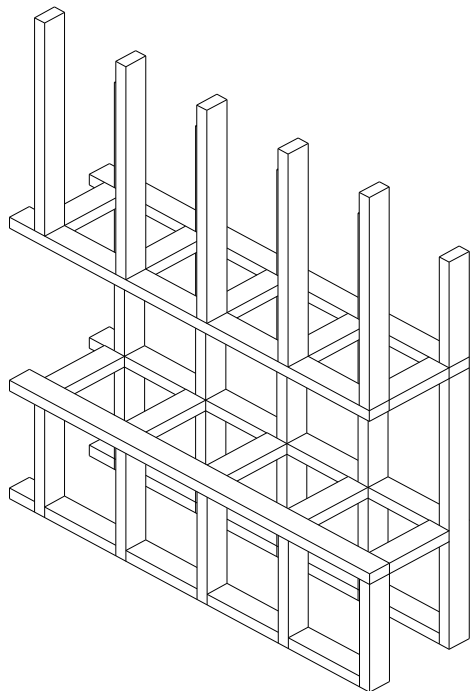
- After the fending panel is removed, screw back the bar.



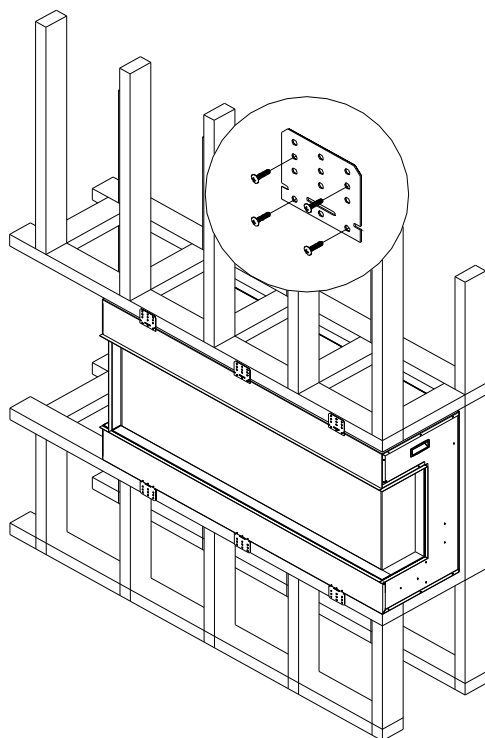
- Remove the framing plates from the fireplace and fix them as the picture shows. NOTE: After removing framing plates on the left and right sides, screw back the screws.



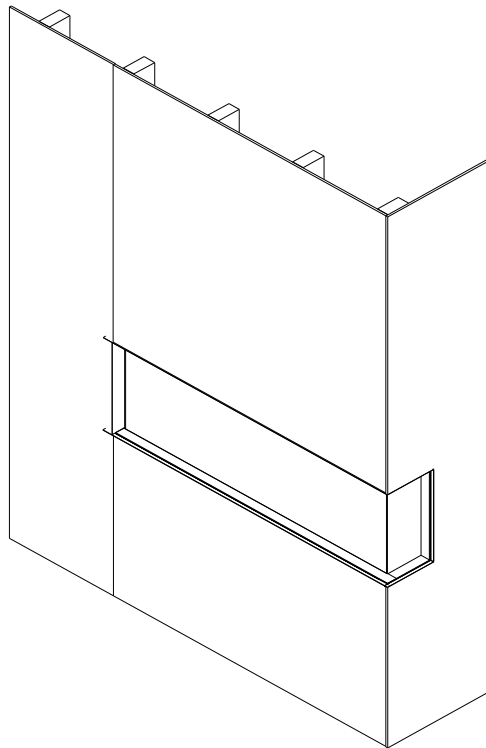
5. Make an opening for the fireplace according to requested measurement.



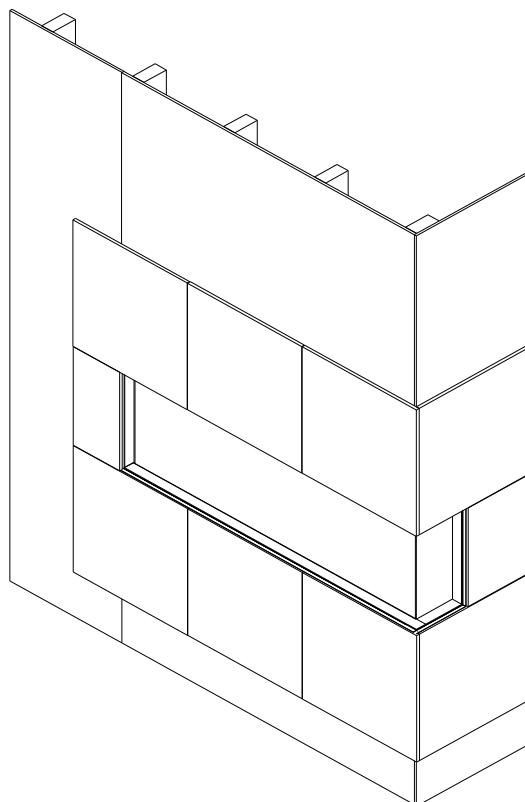
6. Insert the fireplace into the wall opening. Drive the mounting screws into the frame plates on the unit and the wall studs. To fix the bottom of the fireplace and the wall studs with the framing plates that you've removed from left and right side of the fireplace at STEP 4. Plug in and check if the fireplace works.



7. After checking that the fireplace operates properly, cover the glass panels with protective plastic bag and install plywood or drywall.



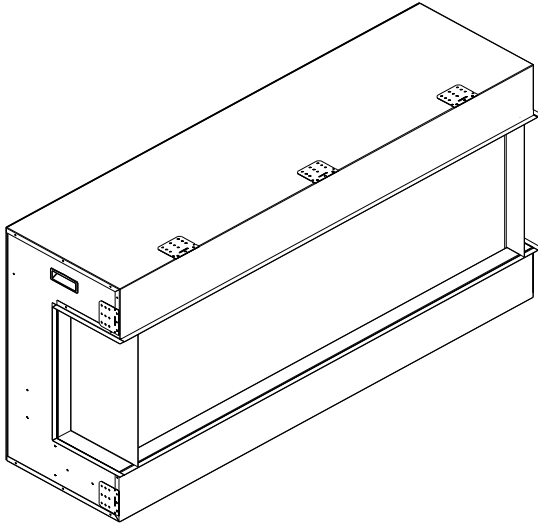
8. Decorate the plywood or drywall with glazed tile, wallpaper, etc.



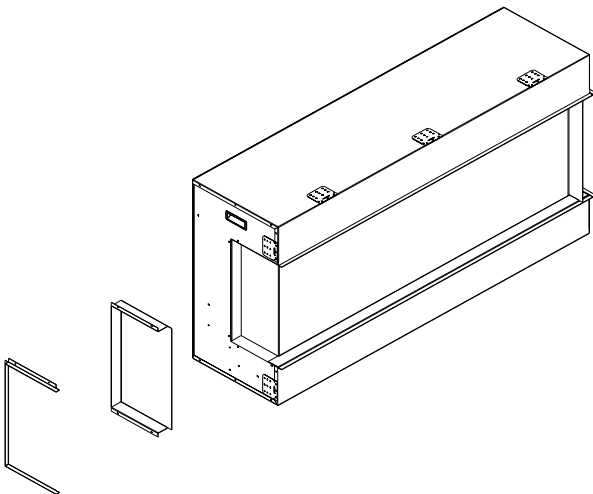


## Installation for Front and Left Side Viewing

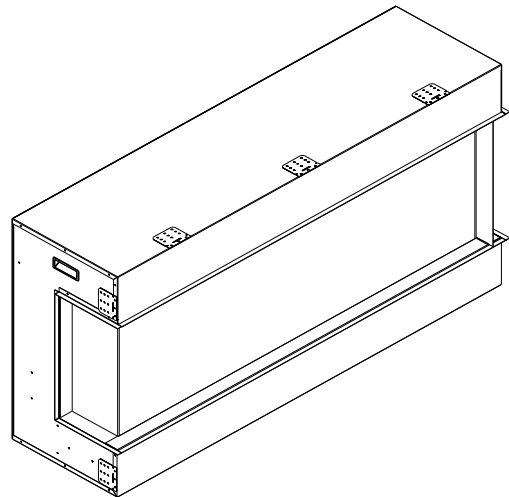
1. Install the fireplace where the right side is close to a wall, and you want to view the fire from front and left side, take off the fending panel on the left.



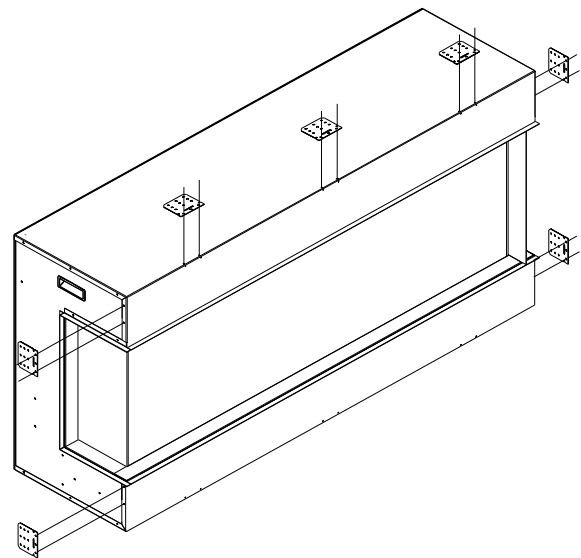
2. Unscrew 7 screws on the left side that fix the fending bar and panel and then take off the fending bar and panel.



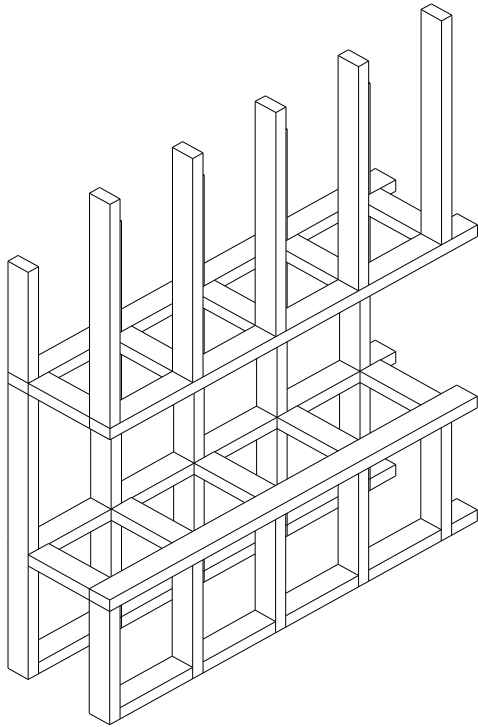
3. After the fending panel is removed, screw back the bar.



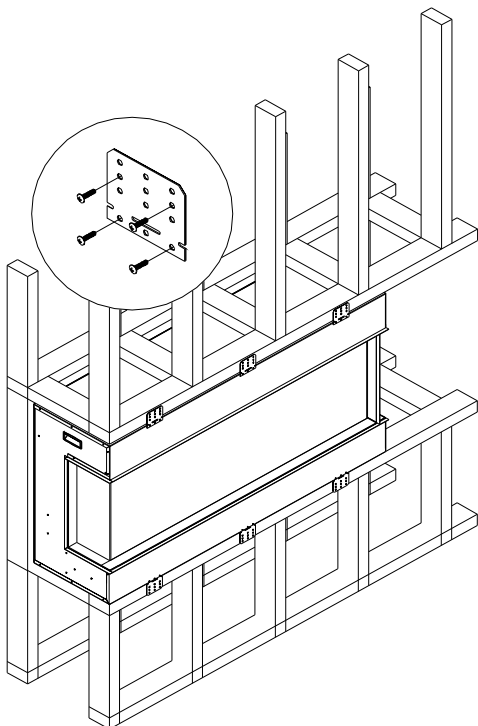
4. Remove the framing plates from the fireplace and fix them as the picture shows. NOTE: After removing the framing plates on the left and right sides, screw back the screws.



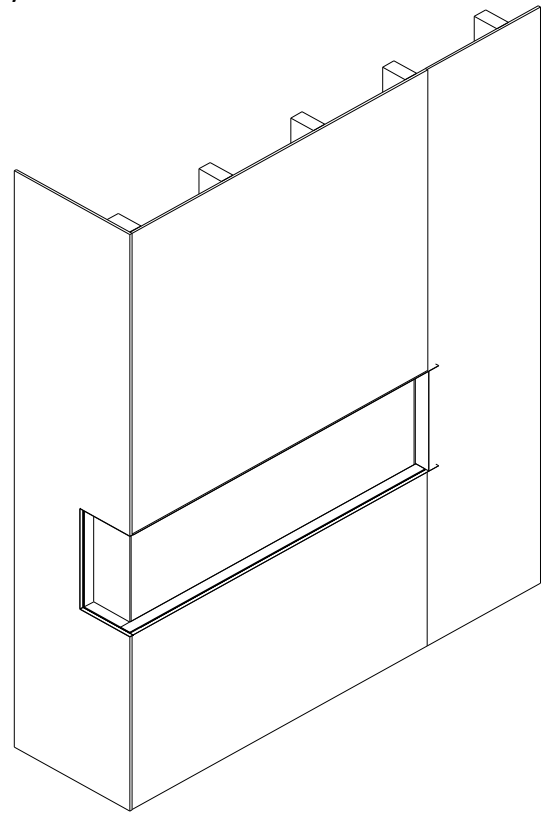
5. Make an opening for the fireplace according to requested measurement.



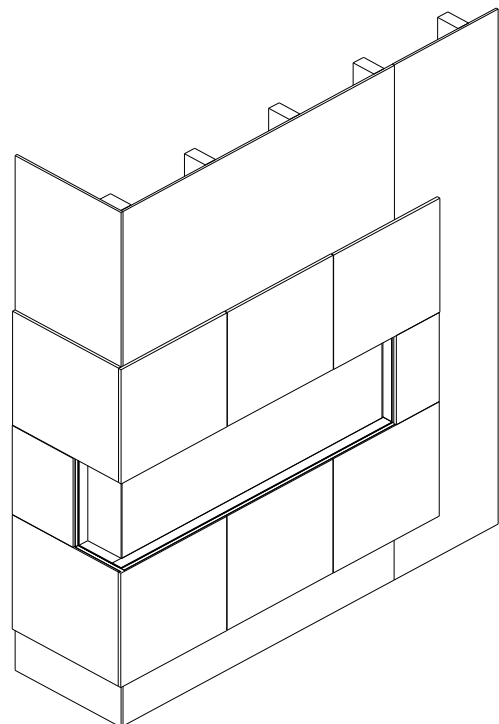
6. Insert the fireplace into the wall opening. Drive the mounting screws into the frame plates on the unit and the wall studs. To fix the bottom of the fireplace and the wall studs with the framing plates that you've removed from left and right side of the fireplace at STEP 4. Plug in and check if the fireplace works.



7. After checking that the fireplace operates properly, cover the glass panels with protective plastic bag and install plywood or drywall.



8. Decorate the plywood or drywall with glazed tile, wallpaper, etc.



## MEDIA OPTIONS

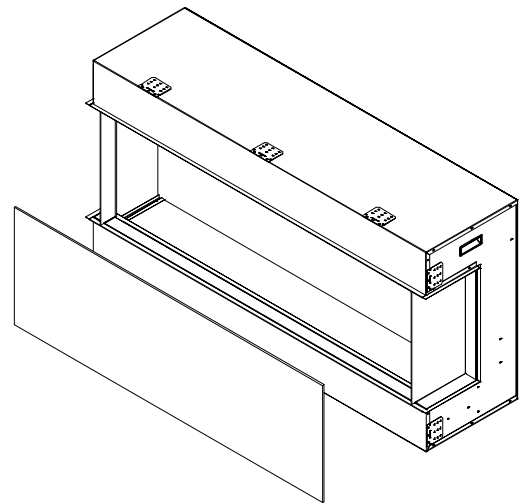
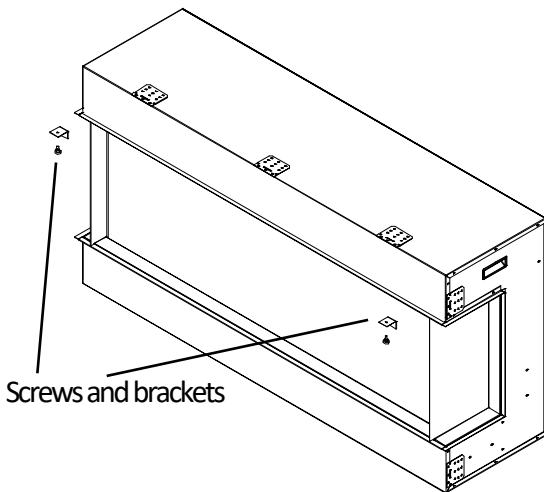
The TRV-SLIM series models are shipped with DESIGN-MEDIA-BIRCH-10PCE.



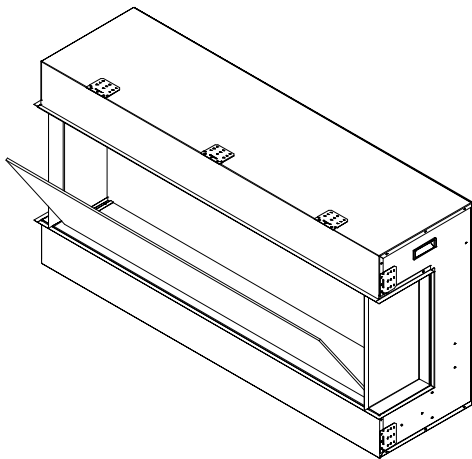
DESIGN-MEDIA-BIRCH-10PCE

## MEDIA OPERATION

1. Unscrew 2 screws and take off two brackets which are fending the front glass panel.
3. Take off the front glass panel and put it in safe place.



2. After the brackets are removed, the front glass panel will fall down automatically.



4. Installing the fire glass media. Pour the fire glass media into the tray as shown below. Feel free to use any combination of fire glass media that you find most appealing.
5. Put back the front glass and screw back the bracket.


## OPERATION

The fireplace can be operated either by the switches located on the left bottom of the fireplace unit or by supplied remote control.

Plug the fireplace into a 15 Amp wall socket.



## MANUAL OPERATION



1. The main power ON/OFF switch in position O, the fireplace is OFF.
2. When main power ON/OFF switch is at position I, the fireplace is ready to use.
3. Press the  button repeatedly to set the heater to desired heat setting. The heater indicator LED will glow which shows the current heater settings.
  - a) RED 1500W HEAT OUTPUT
  - b) BLUE 750W HEAT OUTPUT
  - c) PURPLE AUTO MODE

## AUTO MODE

Under this mode the heater will automatically turn ON at high heat setting 1500W heat output when the room temperature drops below 22°C (72°F). When the room temperature is between 22-25°C (72-77°F) the heater output will switch to low heat setting 750W. When the room temperature goes above 25°C (77°F) the heater will be turned off and the cycle will continue. The LED indicator will be PURPLE in colour under this mode.

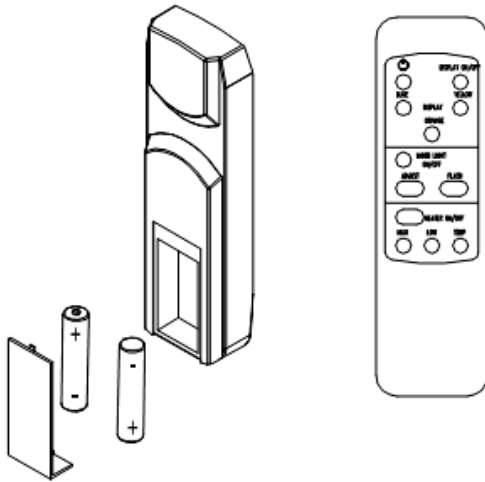
4. Flame effect: Press the button marked  to adjust the flame brightness. The flame brightness will cycle through –Low-Medium-High -OFF.
5. Mood light effect: Press the button marked  to change the mood light colour.

**NOTE:** If operated at the Low heat setting, the fireplace will not provide as much heat output as in the High heat setting, however the low setting will not require as much electrical power to operate. To avoid overloading a circuit, do not plug the fireplace into a circuit that already has other appliances working. When the fireplace is not in use switch off and unplug.

## SAFETY CUT-OFF


- ▮ This appliance is fitted with a safety cut-off which will operate if the fireplace overheats (eg. Due to blocked air vents). For safety reasons, the fireplace will NOT automatically reset.
- ▮ To reset the appliance, disconnect the appliance from the main supply for at least 10 minutes. Reconnect the main power supply and put the main power switch to the ON position.

## REMOTE CONTROL OPERATION



For remote to function make sure the heater is plugged in and main power switch located on the bottom left hand side is at position I.

When operating the remote make sure you point the remote to the centre of the fireplace and make sure each time you press the button. The buzzer inside the unit will beep once. It takes some time for the receiver to respond to the transmitter. Do not PRESS the buttons more than once within two seconds for correct operation.

**Power on**  button: The power-on button at top left corner of the remote is the main ON/OFF power button. This will turn off all the functions and the fireplace will be in standby mode.

**DISPLAY ON/OFF button:** Switching the fireplace flame and tray light ON/OFF. It has functions of setting memory.

**DISPLAY BLUE button:** Adjust the blue color brightness of flame and tray.

**DISPLAY YELLOW button:** Adjust the yellow color brightness of flame and tray.

**DISPLAY ORANGE button:** Adjust the orange color brightness of flame and tray.

**MOOD LIGHT ON/OFF button:** Switching the mood light ON/OFF.

**ADJUST button:** Switching the color of the mood light.

**FLASH button:** Switches mood light into flash mode, this cycles through all mood light colors.

**HEATER ON/OFF button:** Switching the heater ON/OFF. It has functions of setting memory.

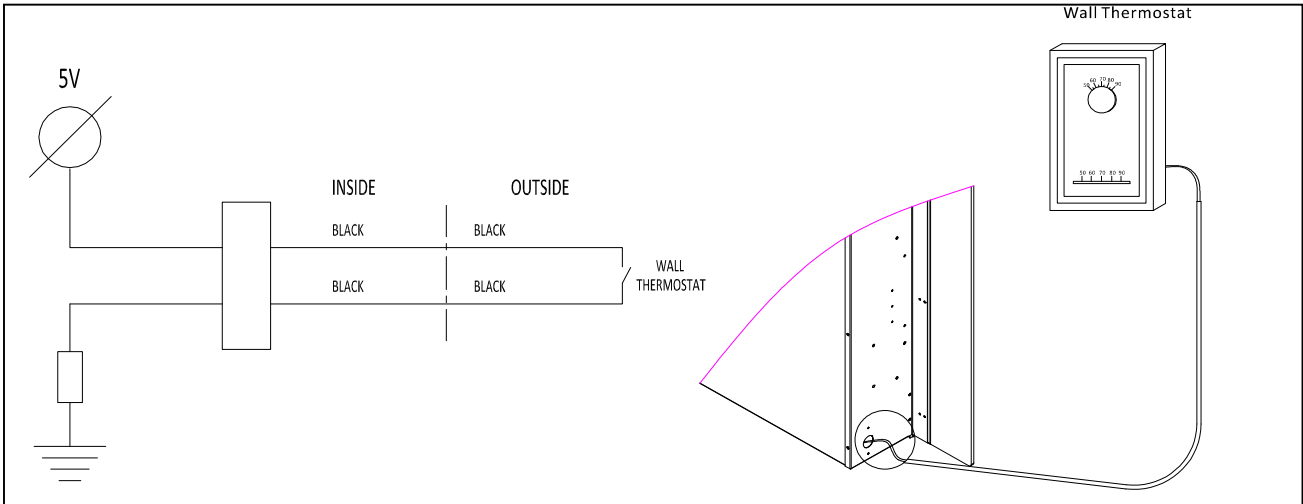
**HIGHT button:** Press the high button to switch the heater to high heat setting 1500W.

**LOW button:** Press the low button to switch the heater to low heat setting 750W.

**TEMP. button:** Press the TEMP. button to switch the heater to AUTO mode. Under this mode the heater will operate in similar way as explained above for the manual operation.

# INSTALLING WALL THERMOSTAT

## WALL THERMOSTAT WIRING DIAGRAMS

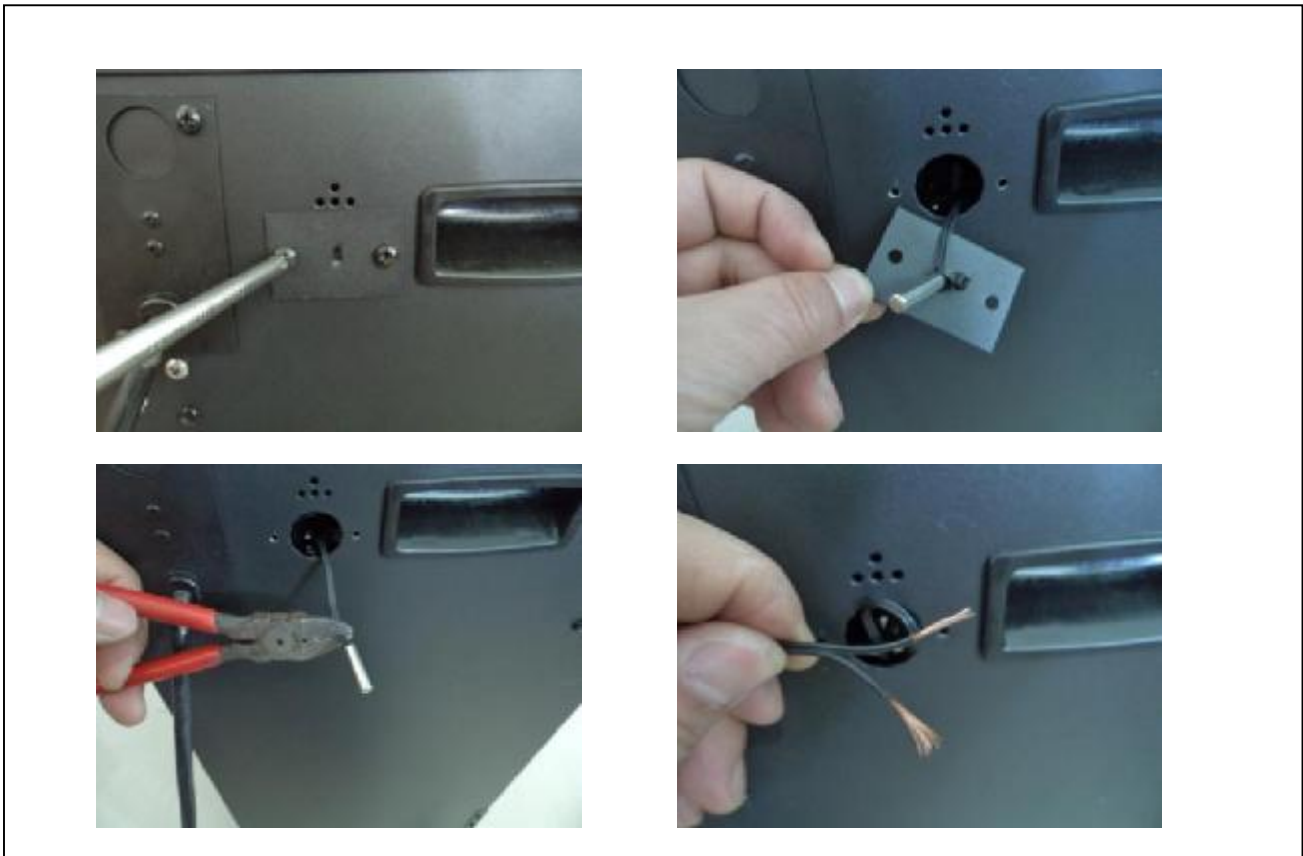


Wire the wall thermostat prior to installing the fireplace.

### WALL THERMOSTAT WIRING(24 VAC)

Install Wall Thermostat per instructions provided with kit and per the following information:

1. Turn off circuit breaker.
2. Remove cover plate located on the left side of appliance.
3. Pull the wire out and cut the inside thermostat. Connect the wires to the wall thermostat as shown below. Follow instructions provided with wall switch kit.



## REPLACEMENT PARTS

This list contains replacement parts

| NO | PART NUMBER |             |             | DESCRIPTION                     | QTY |
|----|-------------|-------------|-------------|---------------------------------|-----|
|    | 30-TRV-SLIM | 40-TRV-SLIM | 50-TRV-SLIM |                                 |     |
| 1  | 10701384    | 10701281    | 10701216    | Front Clear Glass               | 1   |
| 2  | 10201505    |             |             | ADJUSTABLE SCREW                | 2   |
| 3  | 3123010     |             |             | FRONT CLEAR GLASS<br>BRACKET    | 2   |
| 4  | 10702266    | 10702267    | 10702268    | BOTTOM TRAY GLASS               | 1   |
| 5  | 10702271    | 10701284B   | 10701219B   | BACK GLASS                      | 1   |
| 6  | 10701385    |             |             | SIDE CLEAR GLASS                | 2   |
| 7  | 601136B     | 601136B     | 601136B     | LED STRIP FOR TRAY<br>AND FLAME |     |
|    | 601141B     | 601141B     | 601141B     |                                 |     |
| 8  | 3089504E    | 3151505     | 3123505C    | FLICKER ASSEMBLY                | 1   |
| 9  | 10101225    |             |             | FLAME MOTOR                     | 2   |
| 10 | 10104002    |             |             | SWITCH                          | 1   |
| 11 | 601036      |             |             | MANUAL CONTROL                  | 1   |
| 12 | 601092C     |             |             | CIRCUIT BOARD                   | 1   |
| 13 | 602082B     |             |             | BLOWER AND<br>HEATER ASSEMBLY   | 1   |
| 14 | 601002B     |             |             | REMOTE RECEIVER                 | 1   |
| 15 |             |             |             | WHOLE METAL BOX                 | 1   |
| 16 | 10125019    | 10125021    | 10125022    | TOP LED STRIP                   | 1   |
| 17 | 10105063    |             |             | REMOTE CONTROL                  | 1   |

**\*16 and 17 do not show in the exploded picture.**

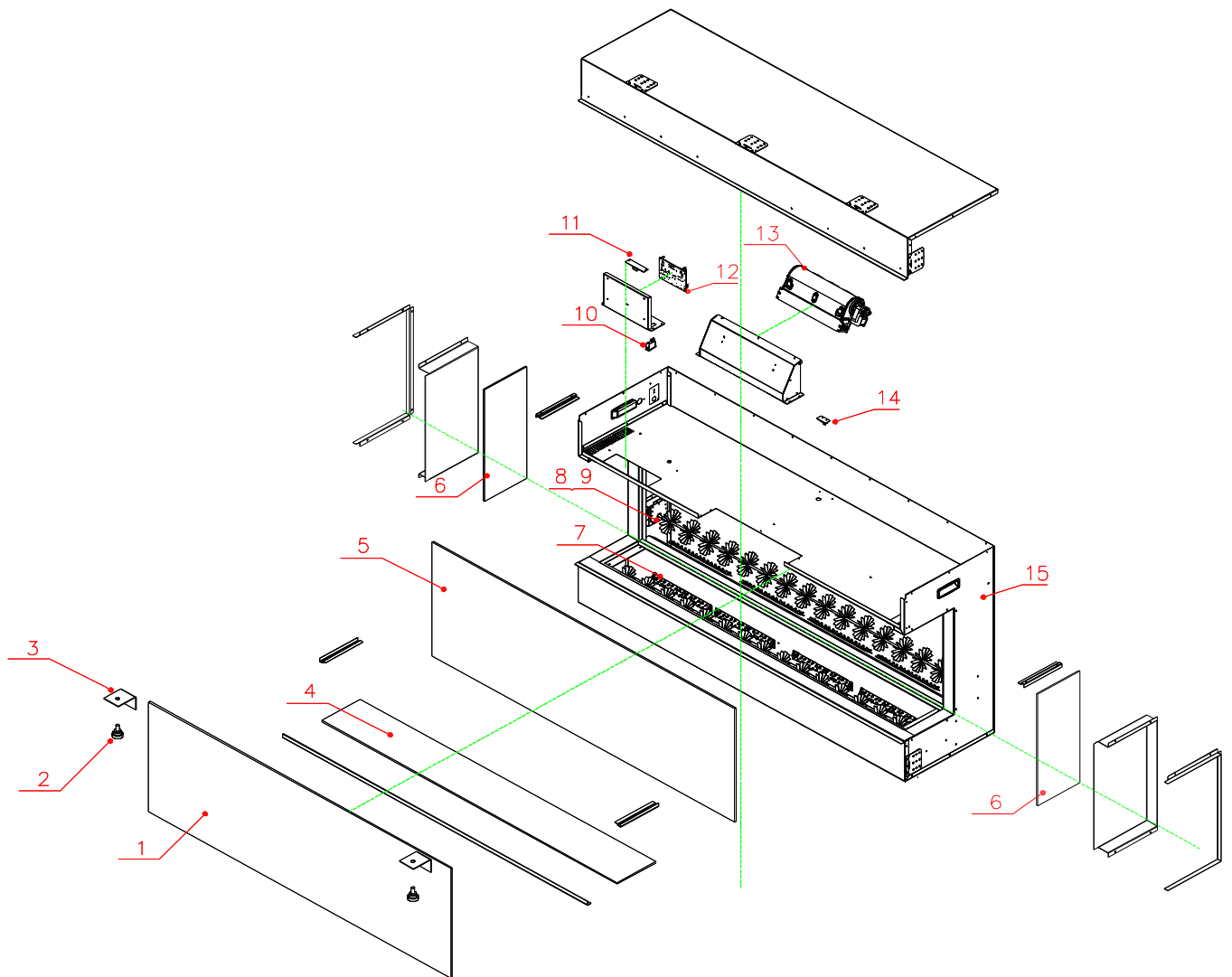
This list contains replacement parts

| NO | PART NUMBER |             | DESCRIPTION                     | QTY |
|----|-------------|-------------|---------------------------------|-----|
|    | 60-TRV-SLIM | 72-TRV-SLIM |                                 |     |
| 1  | 10701217    | 10701218    | Front Clear Glass               | 1   |
| 2  | 10201505    |             | ADJUSTABLE SCREW                | 2   |
| 3  | 3123010     |             | FRONT CLEAR GLASS<br>BRACKET    | 2   |
| 4  | 10702269    | 10702270    | BOTTOM TRAY GLASS               | 1   |
| 5  | 10701220B   | 10701221B   | BACK GLASS                      | 1   |
| 6  | 10701385    |             | SIDE CLEAR GLASS                | 2   |
| 7  | 601136B     | 601137B     | LED STRIP FOR TRAY<br>AND FLAME |     |
|    | 601141B     | 601141B     |                                 |     |
| 8  | 3124505C    | 3125505C    | FLICKER ASSEMBLY                | 1   |
| 9  | 10101225    |             | FLAME MOTOR                     | 2   |
| 10 | 10104002    |             | SWITCH                          | 1   |
| 11 | 601036      |             | MANUAL CONTROL                  | 1   |
| 12 | 601092C     |             | CIRCUIT BOARD                   | 1   |
| 13 | 602082B     |             | BLOWER AND HEATER<br>ASSEMBLY   | 1   |
| 14 | 601002B     |             | REMOTE RECEIVER                 | 1   |
| 15 |             |             | WHOLE METAL BOX                 | 1   |
| 16 | 10125023    | 10125024    | TOP LED STRIP                   | 1   |
| 17 | 10105063    |             | REMOTE CONTROL                  | 1   |

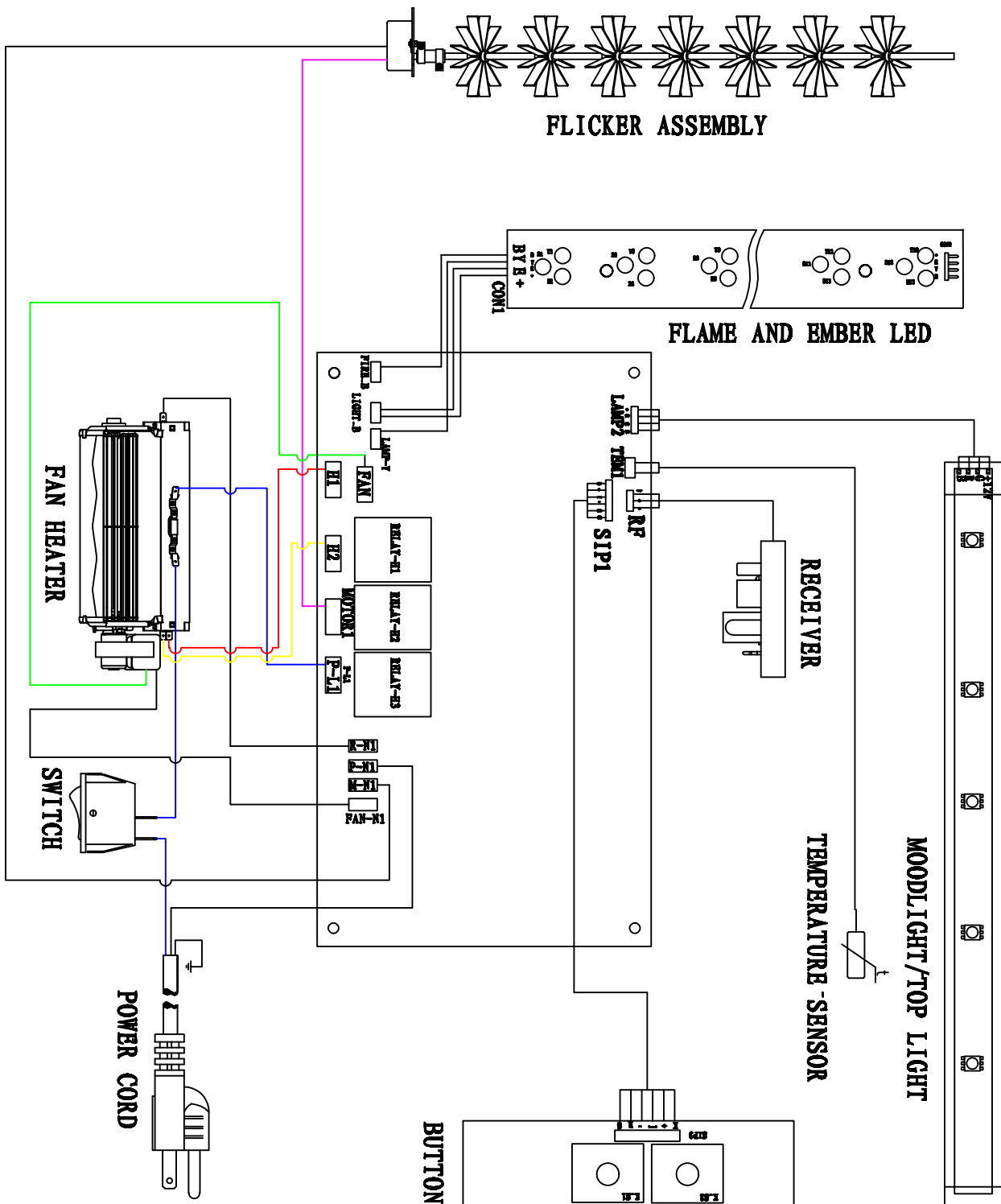
**\*16 and 17 do not show in the exploded picture.**



# EXPLODED VIEW



# Wiring Diagram



## TROUBLE SHOOTING

| PROBLEM   | POSSIBLE CAUSE   | SOLUTION   |
|---|--|--|
| Dim or no flame   | Flame LED's are burnt out  | Inspect the LED's and replace them if necessary.                                   |
| Ember bed is not glowing or dimming                     | Ember LED's are burnt out  | Inspect the ember bed LED's and replace them if necessary.                         |
| Appliance turns off and will not turn on                | Appliance has overheated and safety device has caused the thermal switch to disconnect | Turn off the main switch, allow appliance to cool for 10 minutes, then turn it on. |
|   | House circuit breaker has tripped  | Reset house circuit breaker.   |
|   | Appliance's fuse has blown   | Replace the fuse.  |
| Appliance will not come on when switch is flipped to ON | Appliance is not plugged into an electrical outlet                                     | Check plug and plug in.  |
|   | Appliance has overheated and safety device has caused the thermal switch to disconnect | Turn off the main switch, allow appliance to cool for 10 minutes, then turn it on. |
|   | Circuit board is burnt out   | Inspect the circuit board and replace it if necessary.                             |
| No warm air coming out of appliance                     | Heater is burnt out  | Inspect the burner and heater assembly and replace it if necessary.                |
| Flame sputters  | Flame motor is defective.  | Call a qualified service technician and replace flame motor.                       |
| Remote Control does not work.                           | Low batteries.<br>Unit switch in "O" position.   | Replace AAA batteries in remote control.<br>Turn the switch in "I" position.       |
| Flame is fixed.   | Wiring may be loose or the flame motor may be defective.                               |  |



## WARRANTY FOR PRODUCTS MANUFACTURED AFTER JANUARY 1st, 2016

Amantii Imports Corp. ("Amantii") warrants that your newly purchased Amantii electric fireplace is free from manufacturing and material defects for a period of two (2) years from the date of the first purchase, subject to the conditions and limitations contained below.

### Warranty Application & Exclusions

This limited warranty applies to your newly purchased Amantii electric fireplace; the limited warranty's application is limited to purchases made in any province of Canada or in any of the 52 States of the United States of America, including the District of Columbia. Only the original purchaser of the product is eligible for coverage under this limited warranty; the warranty is not transferable.

### Products excluded from this limited warranty

Light bulbs are not covered by this limited warranty and are the sole responsibility of the owner/purchaser. Amantii does not cover service or labor charges.

### Warranty Coverage and Term

Products covered by this limited warranty have been tested and inspected prior to shipment and, subject to the provisions of this warranty, Amantii warrants such products to be free from defects in material and workmanship for a period of two (2) years from the date of the first purchase of such products.

The limited two (2) year warranty period for products also applies to any implied warranties that may exist under applicable law. Some jurisdictions do not allow limitations on how long an implied warranty lasts, so the above limitation may not apply to the purchaser.

All other warranties—expressed or implied—with respect to the product, its components and accessories or any obligation/liabilities on the part of Amantii are hereby expressly excluded.

### Limitations to Coverage Under Limited Warranty

This limited warranty does not apply to products that have been repaired, except by Amantii or its authorized service representatives, or otherwise altered. This limited warranty further does not apply to defects resulting from misuse, abuse, accident, neglect, incorrect installation, improper maintenance or handling, or operation with an incorrect power source. Products made by other manufacturers, sold with the product or thereafter, are not covered by this limited warranty. The use of unauthorized components will render this warranty null and void.

### Panorama Outdoor Units

All Panorama units that are installed outdoors or in moisture intense conditions must use the stainless steel cover. Proof of purchase of the cover is required for any warranty claims.

### Defects

Defects must be brought to the attention of the selling dealer. Please have your proof of purchase, catalogue/model and serial numbers available when contacting dealer; any and all service under the limited warranty requires a proof of purchase of the product. Should a product or part covered by this limited warranty be proven to be defective, in material or workmanship, and during the two (2) year limited warranty period, Amantii will replace such defective product or part without charge. If Amantii is unable to replace such product, or if replacement is not commercially practicable or cannot be timely done, in its sole discretion Amantii may, in lieu of replacement, choose to refund the purchase price for such product or part. Amantii does not cover labor or service charges to replace said parts.

### Limitations

In no event will Amantii, including without limitation any of its directors, officers, shareholders, employees, consultants, agents, heirs, executors, administrators and assigns, be liable to the purchaser or any third party, whether in contract, in tort, or on any other basis for any indirect, special, punitive, exemplary, consequential, or incidental loss, cost or damage arising out of or in connection with the sale, maintenance, use or inability to use the product, even if Amantii, including without limitation any of its directors, officers, shareholders, employees, consultants, agents, heirs, executors, administrators and assigns, have been advised of the possibility of such losses, costs or damages, or if such losses, costs or damages are foreseeable. In no event will Amantii, including without limitation any of its directors, officers, shareholders, employees, consultants, agents, heirs, executors, administrators and assigns, be liable for any direct losses, costs or damages that exceed the purchase price of the product.

Some jurisdictions do not allow the exclusion or limitation of incidental or consequential damages, so the above limitation or exclusion may not apply to the purchaser.

### Application of Provincial and State Law

This limited warranty gives you specific legal rights, and you may also have other rights which vary from jurisdiction to jurisdiction. The provisions of the United Nations Convention on Contracts for the Sale of Goods shall not apply to this limited warranty or the sale of products covered by this limited warranty.

### General

Amantii reserves the right to make changes at any time without notice, in design, material, specifications, prices and the right to discontinue styles and products.